

B 150 R



English	3
Français	22
Español	41



Register and win!
www.kärcher.com/register-and-win



59662740 06/14

NOTICE:

This device complies with Part 15 of the FCC Rules and Industry Canada licence-exempt RSS standard(s) Operation is subject to the following two conditions:
(1) this device may not cause harmful interference, and
(2) this device must accept any interference received, including interference that may cause undesired operation.

NOTICE:

Changes or modifications made to this equipment not expressly approved by Kärcher may void the FCC authorization to operate this equipment

NOTE: This equipment has been tested and found to comply with the limits for a Class B digital device, pursuant to Part 15 of the FCC Rules. These limits are designed to provide reasonable protection against harmful interference in a residential installation. This equipment generates, uses and can radiate radio frequency energy and, if not installed and used in accordance with the instructions, may cause harmful interference to radio communications. However, there is no guarantee that interference will not occur in a particular installation. If this equipment does cause harmful interference to radio or television reception, which can be determined by turning the equipment off and on, the user is encouraged to try to correct the interference by one or more of the following measures

- Reorient or relocate the receiving antenna.
- Increase the separation between the equipment and receiver.
- Connect the equipment into an outlet on a circuit different from that to which the receiver is connected.
- Consult the dealer or an experienced radio/TV technician for help.

IMPORTANT SAFETY INSTRUCTIONS

Read all the instructions before using the product.

⚠ WARNING

To reduce the risk of fire, electric shock, or injury:

- 1 Do not leave the unit when plugged in. Unplug from outlet when not in use and before servicing.

- 2 To reduce the risk of electric shock use indoors only.
- 3 Do not allow to be used as a toy. Close attention is necessary when used near children.
- 4 Use only as described in this manual. Use only manufacturer's recommended attachments.
- 5 Do not use with damaged cord or plug. If the unit is not working as it should, has been dropped, damaged, left outdoors, or dropped into water, return it to a service center.
- 6 Do not pull or carry by cord, use cord as a handle, close a door on cord, or pull cord around sharp edges or corners. Do not run the unit over cord. Keep cord away from heated surfaces.
- 7 Do not unplug by pulling on cord. To unplug, grasp the plug, not the cord.
- 8 Do not handle plug or unit with wet hands.
- 9 Do not put any object into openings. Do not use with any opening blocked; keep free of dust, lint, hair, and anything that may reduce air flow.
- 10 Keep hair, loose clothing, fingers, and all parts of body away from openings and moving parts.
- 11 Turn off all controls before unplugging.
- 12 Use extra care when cleaning on stairs.
- 13 Do not use to pick up flammable or combustible liquids, such as gasoline, or use in areas where they may be present.
- 14 Connect to a properly grounded outlet only. See Grounding Instructions.

SAVE THESE INSTRUCTIONS!

GROUNDING INSTRUCTIONS

This product must be grounded. If it should malfunction or breakdown, grounding provides a path of least resistance for electric current to reduce the risk of electric shock. This product is equipped with a cord having an equipment-grounding conductor and a grounding plug. The plug must be plugged into an appropriate outlet that is properly installed and grounded in accordance with all local codes and ordinances.

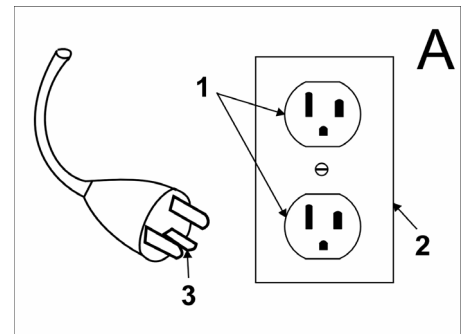
⚠ DANGER

Improper connection of the equipment-grounding conductor can result in a risk of electrocution. Check with a qualified electrician or service personnel if

you are in doubt as to whether the outlet is properly grounded. Do not modify the plug provided with the product - if it will not fit the outlet, have a proper outlet installed by a qualified electrician. Do not use any type of adapter with this product.

This appliance is for use on a nominal 120-volt circuit and has a grounding attachment plug that looks like the plug illustrated in sketchpicture A. Make sure that the appliance is connected to an outlet having the same configuration as the plug. No adaptor should be used with this appliance.

CONNECT TO A PROPERLY GROUNDED OUTLET ONLY



- 1 Grounded outlet
- 2 Grounded outlet box
- 3 Grounded pin

OPERATOR QUALIFICATIONS

Only trained and authorized persons shall be permitted to operate a powered floor scrubber. Operators of powered floor scrubbers shall be qualified as to visual, auditory, physical, and mental ability to operate the equipment safely.

OPERATOR TRAINING

Personnel who have not been trained to operate powered floor scrubbers may operate a floor scrubber for the purposes of training only, and under the direct supervision of the trainer. This training should be conducted in an area away from other trucks, obstacles, and pedestrians.

The operator training program should include the user's policies for the site where the trainee will operate the floor scrubber, the operating conditions for that location, and the specific floor scrubber the trainee will operate. The training program shall be presented to all new operators regardless of previous experience.

The training shall inform the trainee that:

- A The primary responsibility of the operator is to use the powered floor

scrubber safely following the instructions given in the training program.

- B Unsafe or improper operation of a powered floor scrubber can result in: death or serious injury to the operator or others; damage to the powered floor scrubber or other property.

The training program shall emphasize safe and proper operation to avoid injury to the operator and others and prevent property damage, and shall cover the following areas.

A Fundamentals of the powered floor scrubber(s) the trainee will operate:

- 1 characteristics of the powered floor scrubber(s), including variations between powered floor scrubbers in the workplace;
- 2 similarities to and differences from automobiles;
- 3 significance of nameplate data, warnings, and instructions affixed to the powered floor scrubber;
- 4 operating instructions and warnings in the operating manual for the powered floor scrubber, and instructions for inspection and maintenance to be performed by the operator;
- 5 type of motive power and its characteristics;
- 6 method of steering;
- 7 braking method and characteristics;
- 8 visibility forward and reverse;
- 9 stability characteristics with and without load, with and without attachments;
- 10 controls-location, function, method of operation, identification of symbols;
- 11 battery charging;
- 12 guards and protective devices for the specific type of powered floor scrubber;
- 13 other characteristics of the specific powered floor scrubber.

B Operating environment and its effect on powered floor scrubber operation, including:

- 1 floor or ground conditions including temporary conditions;
- 2 ramps and inclines;
- 3 battery charging facilities;
- 4 narrow aisles, doorways, overhead wires and piping, and other areas of limited clearance;
- 5 areas where the powered floor scrubber may be operated near other powered industrial trucks, other vehicles, or pedestrians;
- 6 use and capacity of elevators;

- 7 operation near edge of dock or edge of improved surface;
- 8 other special operating conditions and hazards which may be encountered.

C Operation of the powered floor scrubber, including:

- 1 proper preshift inspection and approved method for removing from service a powered floor scrubber which is in need or repair;
- 2 travelling, turning corners;
- 3 parking and shutdown procedures;
- 4 other special operating conditions for the specific application.

D Operating safety rules and practices, including:

- 1 provisions of this Standard in Section „operating safety rules and practices“;
- 2 other rules, regulations, or practices specified by the employer at the location where the powered floor scrubber will be used.

E Operational training practice, including:

- 1 if feasible, practice in the operation of powered floor scrubbers shall be conducted in an area separate from other workplace activities and personnel;
- 2 training practice shall be conducted under the supervision of the trainer;
- 3 training practice shall include the actual operation or simulated performance of all operating tasks such as maneuvering, travelling, stopping, starting, and other activities under the conditions which will be encountered in the use of the powered floor scrubber.

TESTING, RETRAINING AND ENFORCEMENT

- A During training, performance and oral and/or written tests shall be given by the employer to measure the skill and knowledge of the operator in meeting the requirements of the Standard. Employers may delegate such testing to others but shall remain responsible for testing. Appropriate records shall be kept.
- B Operators shall be retrained when new equipment is introduced, existing equipment is modified, operating conditions change, or an operator's performance is unsatisfactory.
- C The user shall be responsible for enforcing the safe use of the powered floor scrubber according to the provisions of this Standard.

NOTE: Information on operator training is available from such sources as powered floor scrubber manufacturers, government agencies dealing with employee safety, trade organizations of users of powered industrial trucks, public and private organizations, and safety consultants.

OPERATING SAFETY RULES AND PRACTICES

Operator Responsibility

Safe operation is in the responsibility of the operator.

The operator shall develop safe working habits and also be aware of hazardous conditions in order to protect himself, other personnel, the powered floor scrubber, and other material.

The operator shall be familiar with the operation and function of all controls and instruments before undertaking to operate the unit.

Before operating the unit, operators shall have read and be familiar with the operator's manual for the particular unit being operated and they shall also abide by the safety rules and practices in the following paragraphs.

Before operating any unit, the operator shall be familiar with unusual operating conditions which may require additional safety precautions or special operating instructions.

General

Before starting to operate the powered floor scrubber:

- A be in operating position;
- B place directional controls in neutral;
- C apply brake;
- D turn switch to ON position.

Do not start or operate the unit, any of its functions or attachments, from any place other than from the designated operators position.

Keep hands and feet inside the operator's designated area or compartment of the unit.

Understand unit limitations and operate the unit in a safe manner so as not to cause injury to personnel. Safeguard pedestrians at all times.

- A Do not drive a powered floor scrubber up to anyone standing in front of an object.
- B Ensure that personnel stand clear of the rear swing area before conducting turning maneuvers.
- C Exercise particular care at cross aisles, doorways, and other locations where pedestrians may step

into the path of travel of the powered floor scrubber.

Do not permit passengers to ride on powered floor scrubbers unless a safe place to ride has been provided by the manufacturer.

A powered floor scrubber is attended when the operator is less than 25 ft. (7.6 m) from the unit, which remains in his view.

A powered floor scrubber is unattended when the operator is more than 25 ft. (7.6 m) from the unit, which remains in his view, or whenever the operator leaves the unit and it is not in his view.

Before leaving the operator's position:

- A bring the unit to a complete stop;
- B place the directional controls in neutral;
- C apply the parking brake;
- D stop the engine or turn off the controls;
- E if the unit must be on an incline, block the wheels.

Maintain a safe distance from the edge of ramps, platforms, and other similar working surfaces.

When powered floor scrubbers are driven on and off highway trucks or trailers, the brakes on the highway trucks or trailers shall be applied and wheel chocks or other positive mechanical means shall be used to prevent unintentional movement of highway trucks and trailers.

Whenever powered floor scrubbers are driven on and off semitrailers that are not coupled to a tractor, supports may be needed to prevent upending or corner dipping.

Care shall be taken not to contact overhead installations such as lights, wiring, pipes, sprinkler systems, etc.

Report all accidents involving personnel, building structures, and equipment to the supervisor or as directed.

Do not add to, or modify the unit.

Do not block access to fire aisles, stairways or fire equipment.

Travelling

Observe all traffic regulations including authorized plant speed limits. Under normal traffic conditions, keep to the right. Maintain a safe distance, based on speed of travel, from the unit ahead; and keep the unit under control at all times.

Yield the right of way to pedestrians and emergency vehicles such as ambulances and fire trucks.

Do not pass another truck travelling in the same direction at intersections,

blind spots, or at other dangerous locations.

Slow down and sound the audible warning device(s) at cross aisles and other locations where vision is obstructed.

Cross railroad tracks at an angle whenever possible. Do not park closer than 6 ft (1800 mm) to the nearest rail of a railroad track.

Ascend or descend grades slowly, and with caution. Avoid turning, if possible, and use extreme caution on grades, ramps, or inclines; normally travel straight up and down.

Keep a clear view of the path of travel and observe for other traffic, personnel, and safe clearances.

Under all travel conditions, operate the unit at a speed that will permit it to be brought to a stop in a safe manner.

Make starts, stops, turns, or direction reversals in a smooth manner so as not to shift load and/or overturn the powered floor scrubber.

Do not indulge in stunt driving or horseplay.

Slow down for wet and slippery floors. Before driving over a dockboard or bridge plate, be sure that it is properly secured. Drive carefully and slowly across the dockboard or bridge plate, and never exceed its rated capacity.

Do not drive powered floor scrubbers onto any elevator unless specifically authorized to do so. Approach elevators slowly, and then enter squarely after the elevator car is properly leveled.

Once on the elevator, neutralize the controls, shut off power, and set brakes. It is advisable that all other personnel leave the elevator before the powered floor scrubber is allowed to enter or leave.

When negotiating turns, reduce speed to a safe level consistent with the operating environment. Make the turns smoothly. Except when maneuvering at a very low speed, turn the steering control at a moderate, even rate.

The operation of a powered floor scrubber requires special safety considerations, as follows:

A A powered floor scrubber may tip over if an operator fails to slow down to a safe speed before making turns. Indications that a truck is being driven at an excessive speed during turning maneuvers include:

- 1 tire skidding;
- 2 unit side sway;
- 3 wheel lift; and

4 the need to grip the steering wheel tightly to keep from sliding out of the seat.

B The likelihood of lateral tipover is increased under any of the following conditions, or combinations of them:

- 1 travelling on an uneven surface;
- 2 travelling at excessive speed.

C Tipping forward can occur and its likelihood is increased under the following conditions, or combination of them:

- 1 The operator should stay with the powered floor scrubber if it falls off a loading dock or ramp. The operator should hold on firmly and lean away from the point of impact.
- 2 Where the environment presents a severe hazard, or there are other unusual operating conditions, the user may need to establish different and/or additional safety precautions and special operating instructions appropriate for the conditions.

Operator care of the unit

At the beginning of each shift and before operating the powered floor scrubber, check its condition, giving special attention to the following:

- A condition of tires
- B if pneumatic tires, check inflation pressures
- C warning and safety devices
- D lights
- E battery
- F controls
- G lift and tilt systems
- H chains and cables
- I limit switches
- J brakes
- K steering mechanism
- L additional items or special equipment as specified by the user and/or manufacturer

If the unit is found to be in need of repair or in any way unsafe, or contributes to an unsafe condition, the matter shall be reported immediately to the user's designated authority, and the unit shall not be operated until it has been restored to safe operating condition.

If during operation the unit becomes unsafe in any way, the matter shall be reported immediately to the user's designated authority, and the unit shall not be operated until it has been restored to safe operating condition.

Do not make repairs or adjustments unless specifically authorized to do so. Do not use open flames when checking electrolyte level in storage batteries.

MAINTENANCE AND RE-BUILD PRACTICES

Operation of the unit may be hazardous if maintenance is neglected or repairs, rebuilds, or adjustments are not performed in accordance with the manufacturer's design criteria. Therefore, maintenance facilities (on or off premises), trained personnel, and detailed procedures shall be provided.

Parts manuals and maintenance manuals may be obtained by the powered floor scrubber manufacturer.

In unusual cases not covered by the manuals referred above, consult the powered floor scrubber manufacturer. Maintenance and inspection of the unit shall be performed in conformance with the following practices:

- A a schedule planned maintenance, lubrication, and inspection system shall be followed; consult the manufacturer's recommendations.
- B only trained and authorized personnel shall be permitted to maintain, repair, adjust, and inspect the unit, and in accordance with manufacturer's specifications.

When lifting powered floor scrubbers for repair or inspection, the units shall be lifted in a safe, secure, stable manner. Removal of components such as counterweights or uprights will change the center of gravity and may create an unstable condition.

Before starting inspection and repair of powered floor scrubber:

- A raise drive wheels free of floor and disconnect battery and use chocks or other positive truck-positioning devices;
- B block chassis before working on them;
- C disconnect battery before working in the electrical system;
- D the charger connector shall be plugged only into the battery connector and never into the unit connector.

Operation of the powered floor scrubber to check the performance shall be conducted in an authorized area where safe clearance exists.

- A Before starting to operate the unit:
 - 1 be in operating position;
 - 2 apply brake;
 - 3 place directional controls in neutral;
 - 4 turn switch to ON position;
 - 5 check functioning of lift and tilt systems, steering, warning devices, and brakes.
- B Before leaving the unit:
 - 1 stop unit;

- 2 place directional control in neutral;
- 3 apply the parking brake;
- 4 stop the engine or turn off the power;
- 5 turn off the control circuit;
- 6 if the unit must be left on an incline, block the wheels.

Avoid fire hazards and have fire protection equipment present in the work area. Do not use an open flame to check the level of any fluid, especially battery electrolyte. Do not use open pans of fuel or flammable cleaning fluids for cleaning parts.

Properly ventilate work area, vent exhaust fumes, and keep shop clean and dry.

Brakes, steering mechanisms, control mechanisms, warning devices, lights, governors, guards and safety devices, articulating axle stops, and frame members shall be carefully and regularly inspected and maintained in safe operating condition.

FIRE SAFETY STANDARD

Any unit not in safe operating condition shall be removed from service.

Repairs shall not be made in Class I, Class II, and Class III locations.

Repairs to the electrical system of battery powered floor scrubbers shall be performed only after the battery has been disconnected.

Operating Temperature. When the temperature of any part of any powered floor scrubber is found to be in excess of its normal operating temperature and creates a hazardous condition, the vehicle shall be removed from service and shall not be returned to service until the cause for such overheating has been eliminated.

Fire Prevention. The unit shall be kept in a clean condition and reasonably free of lint, excess oil, and grease.

Noncombustible agents are preferred for cleaning the unit. Flammable liquids [those having flash points at or above 100°F (37,8°C)] are not allowed. Precautions regarding toxicity, ventilation, and fire hazard shall be appropriate for the agent or solvent used.

Nameplate Visibility. The unit type designations as shown on the nameplate and the type markers shall not be covered over with paint so that their identification information is obscured.

Changing and Charging Storage Batteries.

This section shall apply to batteries used on electric trucks. The two types of batteries commonly are lead and nickel-iron. They contain corrosive

chemical solutions, either acid or alkali, and, therefore, present a chemical hazard. While being charged, they give off hydrogen and oxygen, which, in certain concentrations, are explosive. Battery-charging installations shall be located in areas designated for that purpose; such areas shall be kept free of extraneous combustible materials. Facilities shall be provided for the following:

- A Flushing spilled electrolyte;
- B Fire protection;
- C Protecting charging apparatus from damage by trucks, and
- D Adequate ventilation for dispersal of fumes from gassing batteries.

Where on-board chargers are used, charging shall be accomplished at locations designated for that purpose, taking into account the electrical requirements of the charger and facilities for fire protection.

Exception: Flushing facilities shall not be required if charging is accomplished without removing the battery from the vehicle.

Where handling acid concentrates greater than 50 percent acid (above 1.400 specific gravity) an eye-wash fountain shall be provided.

A conveyor, overhead hoist, or equivalent material handling equipment shall be provided for handling batteries.

Chain hoists shall be equipped with load-chain containers. Where a hand hoist is used, uncovered batteries shall be covered with a sheet of plywood or other nonconducting material to prevent the hand chain from shorting in cell connectors or terminals. A properly insulated spreader bar shall be used with any overhead hoist.

Reinstalled or new batteries shall meet or exceed the battery type marked on the unit. Reinstalled batteries shall be positioned properly and secured in the unit.

A carboy tilter or siphon shall be provided where acid in carboys is used. Where diluting concentrated sulfuric acid to make up electrolyte, the acid ALWAYS shall be added to the water – not reverse. Battery maintenance personnel shall wear protective clothing such as eye protection, long sleeves, and gloves.

Exception: Removal and replacement of batteries shall not require the use of protective clothing.

Electrical installations shall be in accordance with NFPA 70, National electric code, and any local ordinances.

Trained and authorized personnel shall change or charge batteries.

The powered floor scrubber shall be positioned properly and brakes shall be applied before attempting to change or charge batteries.


Where charging batteries, the vent caps shall be kept in place to avoid electrolyte spray. Care shall be taken to ensure that vent caps are functioning. The battery (or compartment) cover(s) shall be open to dissipate heat and gas.

Smoking shall be prohibited in the charging area.

Precautions shall be taken to prevent open flames, sparks, or electric arcs in battery-charging areas.

Tools and other metallic objects shall be kept away from the tops of uncovered batteries.

The unit shall not be used in classified areas.

 Please read and comply with these original instructions prior to the initial operation of your appliance and store them for later use or subsequent owners.

Contents

Safety instructions	EN .. 6
Function	EN .. 6
Proper use	EN .. 6
Environmental protection ..	EN .. 6
Control elements	EN .. 7
Before Startup	EN .. 8
Operation	EN .. 10
Grey Intelligent Key	EN .. 12
Transport	EN .. 11
Storage	EN .. 13
Maintenance and care	EN .. 13
Troubleshooting	EN .. 16
Technical specifications	EN .. 18
Accessories and Spare Parts ..	EN .. 19
Warranty	EN .. 19

Safety instructions

Before using the appliance for the first time, read and observe these operating instructions and the accompanying brochure: Safety information for brush cleaning units and spray-extraction units, 5.956-251.

The appliance has been approved for use on surfaces with max. gradients as listed under "Technical Specifications".

Safety Devices

Safety devices serve to protect the user and must not be rendered in operational or their functions bypassed.

Safety button


To take all functions out of operation immediately: Bring the safety switch into the "0" position.


- When switching off the safety switch, the appliances brakes hard.
- The emergency-stop has a direct effect on all machine functions.

Seat switch

Switches off the drive motor after a short delay, if the operator leaves the operator seat during operation or while moving.

Symbols on the machine

	<p>CAUTION <i>Risk of injury on account of being crushed. Keep hands away from this area while swivelling down the waste water tank.</i></p>
--	--

	<p>⚠ DANGER Increased risk of accidents due to high speed. Drive slowly on slopes.</p>
--	--

Danger or hazard levels

⚠ DANGER

Immediate danger that can cause severe injury or even death.

⚠ WARNING

Possible hazardous situation that could lead to severe injury or even death.

CAUTION

Pointer to a possibly dangerous situation, which can lead to minor injuries.

ATTENTION

Pointer to a possibly dangerous situation, which can lead to property damage.

Function

The scrubber vacuum is used for wet cleaning or polishing of level floors. You can adjust the machine to suit the cleaning task by modifying the settings for water quantity, contact pressure of the brushes, detergent quantity and driving speed.



Proper use

Use this appliance only as directed in these operating instructions.

- The appliance may only be used for the cleaning of hard surfaces that are not sensitive to moisture and polishing operations.
- This appliance is intended for inside use.
- The application temperature ranges from +5°C to +40°C.
- The appliance is not suited for the cleaning of frozen grounds (e.g. in cold stores).
- The appliance is suitable for a max. water depth of 1 cm. Do not drive into an area where there is a risk of this max. water height being exceeded.
- The appliance may only be equipped with original accessories and spare parts.
- The appliance is not intended for the cleaning of public traffic routes.
- The machine should not be used on surfaces that are sensitive to pressure. Please consider the allowed load per surface unit of the floor. Details of load per surface unit can be found in the technical data.

- The appliance is not suited for the use in potentially explosive environments.
- The machine should not be used to suck in inflammable gases, undiluted acids or solvents. This includes petrol, thinning agents or hot oil that can form an explosive mixture when it comes in contact with sucked air. Do not use acetone, undiluted acids and solvents as they are aggressive towards the materials from which the appliance is made.

Environmental protection

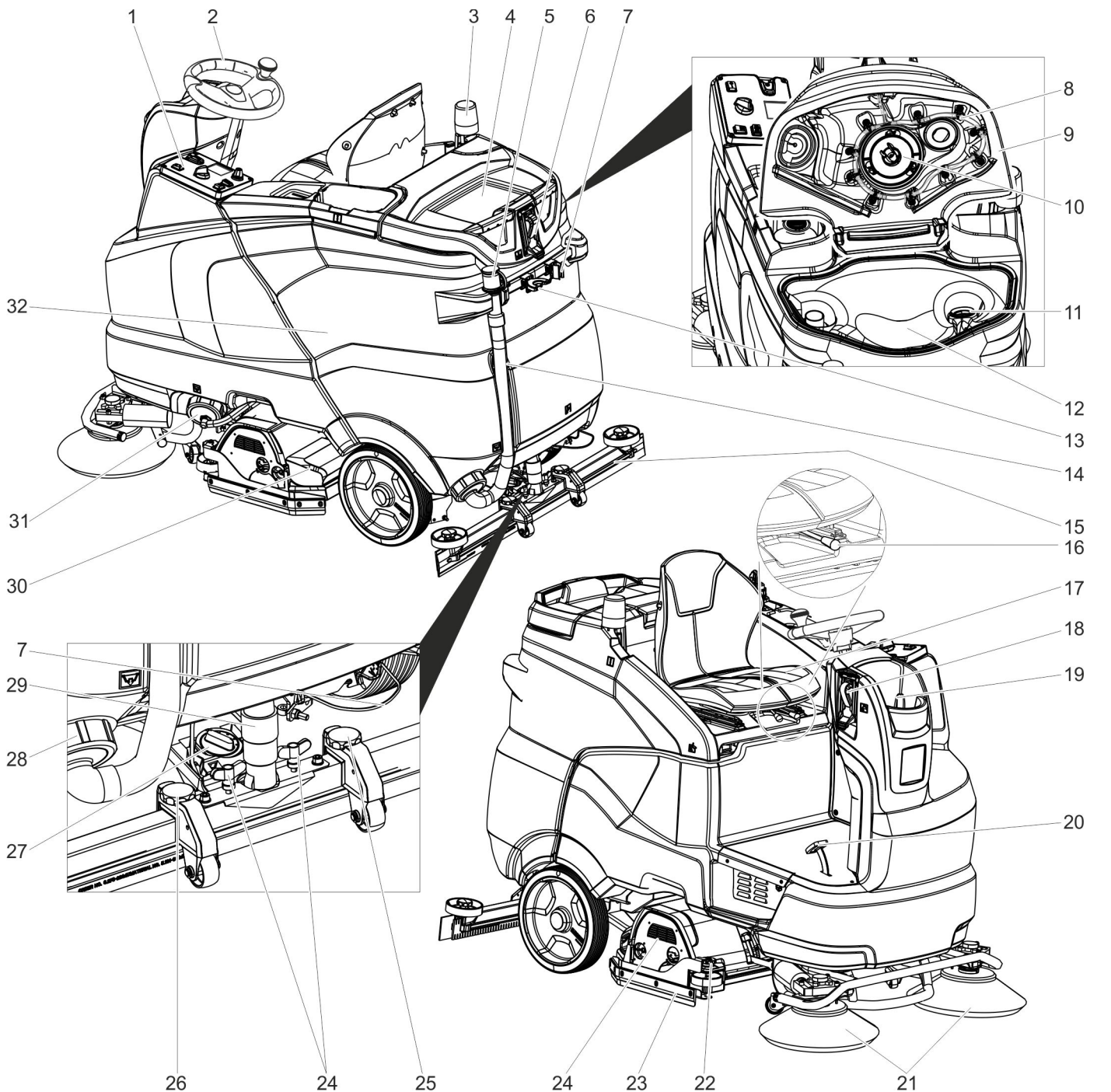
	The packaging materials are recyclable. Please do not throw packaging in the domestic waste but pass it on for recycling.
	Old units contain valuable recyclable materials. Batteries, oil and similar substances may not be released into the environment. Therefore please dispose of old units through suitable collection systems.

Notes about the ingredients (REACH)

You will find current information about the ingredients at:

www.kaercher.com/REACH

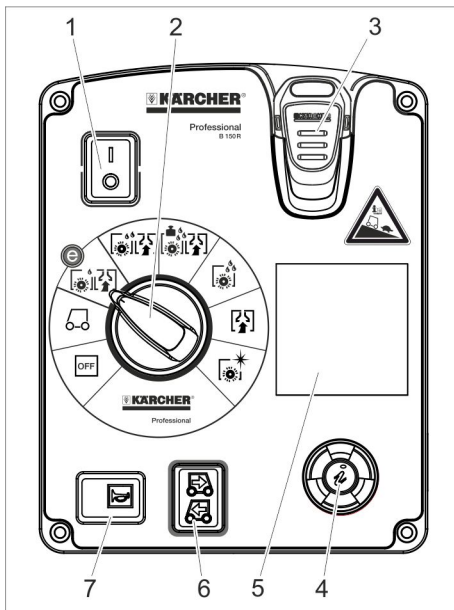
Control elements



- | | | |
|--|--|---|
| 1 Operating field | 16 Lever for seat adjustment | 30 Waste container (only with R cleaning head) * |
| 2 Steering wheel | 17 Seat (with seat switch) | 31 Closure fresh water tank with fresh water filter |
| 3 Warning lamp ** | 18 Filling system ** | 32 Battery |
| 4 Storage surface for cleaning set "Home base box" | 19 Fresh water tank cover | |
| 5 Dosing equipment for dirt water | 20 Drive pedal | |
| 6 Water connection for wastewater tank rinsing system ** | 21 Side brush (only SB version) | |
| 7 Mop holder ** | 22 Adjustment wheel for wiping flap* | |
| 8 Wastewater tank rinsing system ** | 23 Wiping flap | |
| 9 Cover dirt water reservoir | 24 Cleaning head * | |
| 10 Float | 25 Height adjustment of suction bar | |
| 11 Fluff filter | 26 Wing nuts for fastening the vacuum bar | |
| 12 Dirt water reservoir | 27 Rotary handle to incline the vacuum bar | |
| 13 Tool holder ** | 28 Lock, dirt water reservoir | |
| 14 Dirt water discharge hose | 29 Suction hose | |
| 15 Vacuum bar * | | |

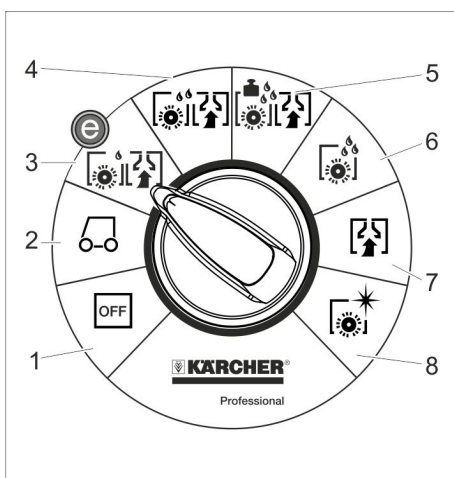
* not included in the delivery
** option

Operator console



- 1 Safety button
- 2 Programme switch
- 3 Intelligent Key
- 4 Info button
- 5 Display
- 6 Drive direction switch
- 7 Horn

Programme switch



- 1 **OFF**
Device is switched off
- 2 **Transport run**
Driving to the Place of Use.
- 3 **Eco programme**
Wet clean the floor (with reduced brush speed) and vacuum up wastewater (with reduced suction).
- 4 **Scrubbing suction**
Wet clean the floor and vacuum up dirt water.
- 5 **Heavy programme**
Wet clean the floor (with increased brush contact pressure) and vacuum up dirt water.
- 6 **Scrubbing**

Wet clean the floor and allow the detergent to react.

7 Vacuuming

Suck in the dirt fleet.

8 Polishing

Polishing the floor without the application of liquid.

Symbols on the machine

	Handle for swivelling up the waste water tank
	Lashing point
	Mop holder **
	Water connection filling system **
	Water connection for wastewater tank rinsing system **
	Drain outlet fresh water tank
	Drain outlet waste water tank

** option

Before Startup

Batteries

	Observe the directions on the battery, in the instructions for use and in the vehicle operating instructions
	Wear eye protection
	Keep children away from acid and batteries
	Danger of explosion
	Fire, sparks, naked flames and smoking must be strictly avoided
	Danger of chemical burns
	First aid
	Warning note
	Disposal
	Do not throw the battery into the regular waste

⚠ DANGER

Risk of explosion!

Do not place tools or similar items on the battery. Risk of short-circuit and explosion.

Risk of injury. Ensure that wounds never come into contact with lead. Always clean your hands after having worked with batteries.

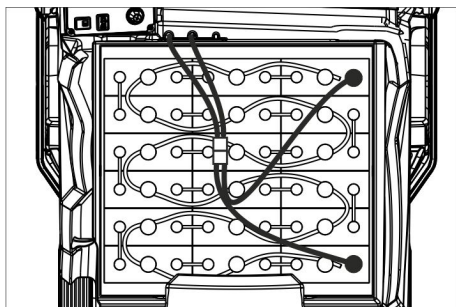
Recommended batteries

	Order No.	Volume [m ³]*	Air flow [m ³ /h]**
Battery set 240Ah, trough, low-maintenance	4.035-987.7	27	10,8
Battery set 180Ah, trough, low-maintenance	4.035-988.7	20,25	8,1
Battery set 240Ah, 6 blocks, maintenance-free	4.654-306.7	6,975	2,79
Battery set 180Ah, 6 blocks, maintenance-free	4.654-307.7	5,175	2,07

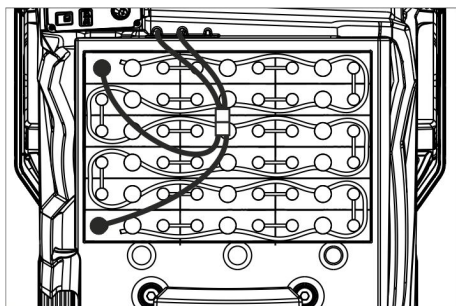
* Minimum volume of the battery charging room
 ** Minimum air flow between the battery charging room and the surroundings

Insert batteries and connect

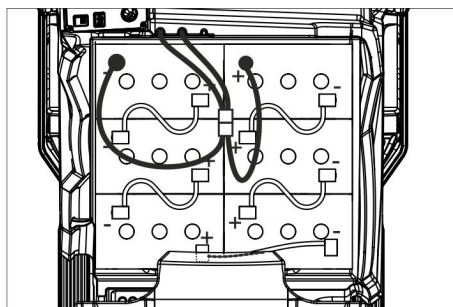
- ➔ Bring the safety switch into the "0" position.
- ➔ Tilt the wastewater tank backwards.



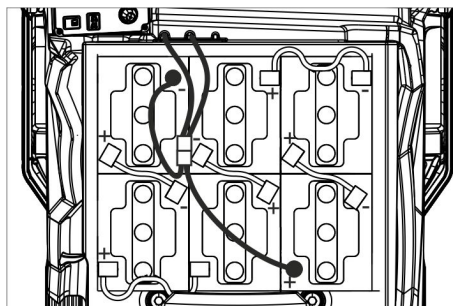
4.035-987.7



4.035-988.7



4.654-306.7 (arrangement A)



4.654-307.7 (arrangement B)

ATTENTION

Risk of damage. Ensure correct polarity.

- ➔ Lubricate the battery pole with pole grease.
- ➔ Connect pole using the enclosed connecting cable.
- ➔ Connect the connection cable to the free battery poles (+) and (-).
- ➔ Insert battery plug.

ATTENTION

Risk of damage due to full discharge! Charge the batteries before commissioning the appliance.

Charge the batteries

NOTICE

The appliance is equipped with a total discharge protection, i.e. if the still admissible minimum of the capacity is reached, the appliance can only be driven. The display shows the message "Battery low - cleaning not possible" and "Battery empty - please charge".

- ➔ Drive the appliance directly to the charging station; avoid any steep gradients in the process.

NOTICE

While using other batteries (for e.g. batteries from other manufacturers) the total discharge protection level must be reset by the Kärcher after-sales service according to the respective battery.

⚠ DANGER

Risk of electric shock. Observe supply network and fuse protection - see "Charger". Only use the charger in dry rooms with sufficient ventilation!

NOTICE

Average charging time is approx. 10 - 12 hours.

The recommended chargers (matching the batteries used) are regulated electronically and will automatically switch off the charging process.

⚠ DANGER

Danger of explosion. The room, where the machine is kept to charge the battery, must feature a minimum volume and an air exchange with a minimum flow rate, depending on the type of battery (see "Recommended Batteries"). Danger of explosion. The charging of wet batteries is only permitted if the waste water reservoir is tilted up.

- ➔ Swivel the wastewater tank upwards.
- ➔ Separate the battery plug and connect the charger cable.
- ➔ Plug in the mains plug of the charger.
- ➔ Execute the charging process according to the separate instruction manual of the battery charger.

Low maintenance batteries (wet batteries)

- ➔ Add distilled water one hour before the charging process comes to an end; follow the correct acid level. There are corresponding indicators on the battery. At the end of the charging process, all cells must gas.

⚠ DANGER

Danger of chemical burns. Filling water in while the battery is discharged can lead to acid leaks!

Wear goggles when handling battery acid and adhere to instructions to prevent injuries and damage to clothing. Flush any acid drops on the skin or clothes immediately with plenty of water.

ATTENTION

Use only distilled or desalinated water (EN 50272-T3) for filling the battery. Do not add any substances (so-called performance improving agents), else warranty claims will not be entertained.

Maximum battery dimensions

Layout	A	B
Length	244 mm	312 mm
Width	190 mm	182 mm
Height	275 mm	365mm

Information on the initial charge

With the initial charge, the control will not yet be able to detect which battery type has been installed. Keep charging the batteries until the display shows a full charge (batteries may still not be completely charged). The next charging process will have an accurate display and charge power and the batteries will be fully charged.

Note:

A "V" to the right of the bar of the battery indicator shows that the initial charge has not been performed yet. Use the appliance until the deep discharge protection switches off the brush motor and the turbine after the initial charge of the battery. This procedure is necessary to adjust the battery indicator. Only then the correct battery status is displayed.

Removing the batteries

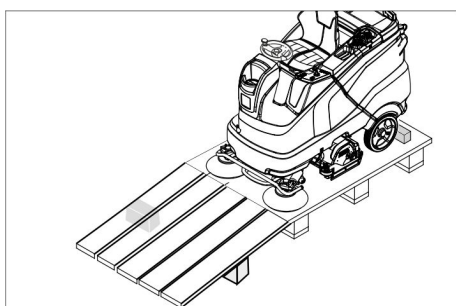
- Bring the safety switch into the "0" position.
- Tilt the wastewater tank backwards.
- Clamp off the minus pole of the battery.
- Clamp off the remaining cables from the battery.
- Remove the batteries.
- Dispose of the used batteries according to the local provisions.

Unloading

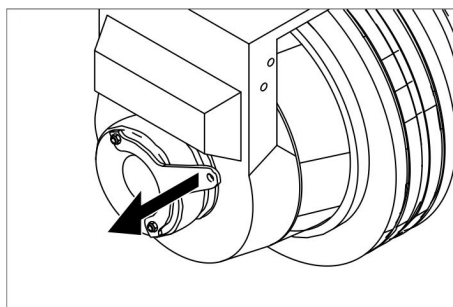
NOTICE

To take all functions out of operation immediately, bring the safety switch into the "0" position.

- Four floor boards of the pallet are fastened with screws. Unscrew these boards.



- Place the boards on the edge of the pallet. Place the boards in such a way that they lie in front of the four wheels of the machine. Fasten the boards with screws.
- Slide the four support beams included in the packaging under the ramp.
- Remove the wooden bars in front of the wheels.



- Pull the brake lever and push the appliance down the ramp with the level pulled.

or

- Plug in the Intelligent Key.
- Bring the safety switch into the "1" position.
- Set programme selector switch to transport run.
- Set the travel direction switch to "forward".
- Actuate the accelerator pedal.
- Drive the appliance off the pallet.
- Bring the safety switch into the "0" position.

Install cleaning head

The procedure for changing the cleaning head is described in the chapter "Maintenance Tasks".

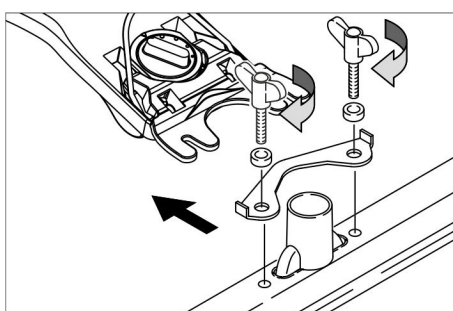
NOTICE

On some models, the cleaning head is already installed.

Installing the Brushes

The installation of the brushes is described in the chapter "Maintenance Tasks".

Installing the Vacuum Bar



- Insert the vacuum bar into the vacuum bar suspension in such a manner that the profiled sheet is positioned above the suspension.
- Tighten the wing nuts.
- Insert the suction hose.

Operation

⚠ DANGER

Risk of injuries. Never use the unit without protective roof in areas where the operators can be hit by dropping objects.

NOTICE

To take all functions out of operation immediately, bring the safety switch into the "0" position.

Adjusting driver's seat

- Operate the lever for the seat adjustment and move the seat to the desired position.
- Release the seat adjustment lever and lock the seat in place.

Turning on the Appliance

- Take the seating position.
- Plug in the Intelligent Key.
- Bring the safety switch into the "1" position.
- Turn the programme switch to the desired function.

Check parking brake

⚠ DANGER

Risk of accident. Prior to every operation, the parking brake must be checked for proper function on a level ground.

- Turn on the appliance.
- Set the travel direction switch to "forward".
- Set programme selector switch to transport run.
- Gently depress drive pedal.
- The brake must unlock audibly. The machine must roll easily on a plane surface. When the pedal is released, the brake locks audibly. Switch off the machine and call the aftersales service if the above-mentioned events do not occur.

Driving

⚠ DANGER

Danger of accident. If the machine does not brake, then proceed as follows:

- If the appliance does not stop when the accelerator is released on a ramp with more than 2% inclination, the safety switch may only be brought in the "0" position if the proper mechanical function of the parking brake has been checked prior to every operation of the appliance for safety reasons.
- Switch off the machine only after it comes to a complete halt (on an even surface) and call up the aftersales service!
- Further, follow all warning instructions for braking.

⚠ DANGER

Danger of tipping if gradient is too high.

→ The gradient in the direction of travel should not exceed 10% (Adv 15%).

→ Drive only lengthwise on uphill and downhill gradients, do not turn.

Danger of tipping when driving round bends at high speed.

Danger of slipping on wet floors.

→ Drive slowly when cornering.

Danger of tipping on unstable ground.
→ Only use the machine on sound surfaces.

Danger of tipping with excessive sideways tilt.

Driving

→ Take the seating position.

→ Plug in the Intelligent Key.

→ Bring the safety switch into the "1" position.

→ Set programme selector switch to transport run.

→ Set the drive direction using the drive direction button at the operator console.

→ Determine the driving speed by pressing the drive pedal.

→ Stop the machine: Release the drive pedal.

NOTICE

The drive direction can also be changed during the drive. Thus, very blunt edges can be polished by moving forward and backward a few times.

Overload

In case of overloading, the drive motor automatically switches off after a certain period. A fault message is displayed on the console. The concerned unit gets switched off if the controls get overheated.

→ Allow machine to cool down at least for 15 minutes.

→ Turn the programme switch to "OFF", wait for a short period of time and turn it back to the desired programme.

Filling in detergents

Detergent

ATTENTION

Risk of damage. Only use the recommended detergents. With respect to different detergents the operator bears the increased risk regarding the operational safety and danger of accident. Only use detergents that are free from solvents, hydrochloric acid and hydrofluoric acid. Follow the safety instructions for using detergents.

Note

Do not use highly foaming detergents. Recommended detergents:

Application	Detergent
Routine cleaning of all water resistant floors	RM 746 RM 780
Routine cleaning of glossy surfaces (e.g. granite)	RM 755 es
Routine cleaning and basic cleaning of industrial floors	RM 69 ASF
Routine cleaning and basic cleaning of fine stoneware tiles	RM 753
Routine cleaning of tiles in sanitary areas	RM 751
Cleaning and disinfection in sanitary areas	RM 732
Removal of coating from all alkali-resistant floors (e.g. PVC)	RM 752
Removal of coating from linoleum floors	RM 754

Fresh water

→ Open the cover of the fresh water reservoir.

→ Fill fresh water (max. 60 °C) until 15 mm below the upper edge of the tank.

→ Pour in detergent.

NOTICE

If detergent is added to the cleaning detergent tank first, followed by water, there could be a lot of foam.

→ Close the cover of the fresh water reservoir.

NOTICE

Fill up the fresh water tank completely before starting up the machine to ventilate the water supply system.

Filling system (optional)

→ Connect the water hose to the connection neck on the filling system.

→ Open the water supply.

Once the maximum fill level is reached, the built-in floater valve will stop the water inflow.

→ Shut off water supply.

→ Remove the water hose.

Setting the parameters

With yellow Intelligent Key

Parameters for the different cleaning programmes are preset in the appliance.

Depending on the authorisation of the yellow Intelligent Key, individual parameters can be changed.

The modification of the parameters is only valid until another cleaning programme is selected via the programme selection switch.

If you wish to permanently change the parameters, you must use a grey Intelligent Key. This adjustment procedure is described in the section "Grey Intelligent Key".

Note:

Almost all displayed text regarding parameter adjustment is self-explanatory. The only exception is the parameter FACT:

– Fine Clean: Lower brush speed for removing the grey film on fine stone floors.

– Whisper Clean: Medium brush speed for regular cleaning with reduced noise level.

– Power Clean: High brush speed for polishing, crystallising and sweeping.

→ Turn the program selection switch to the desired cleaning program.

→ Turn the info button until the desired parameter is displayed.

→ Press Info button - the set value blinks.

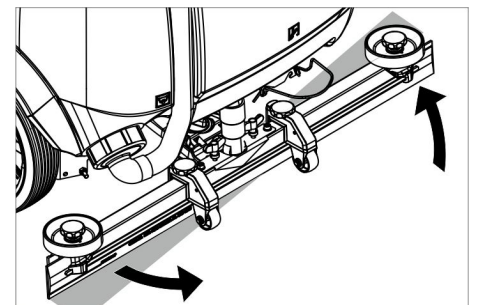
→ Set the desired value by turning the info button.

→ Confirm the changed setting by pressing the Info button or wait till the set value is automatically accepted after 10 seconds.

Setting the Vacuum Bar

Oblique position

To improve the vacuuming result on tiled floors the vacuum bar can be turned to an oblique position of up to 5°.



→ Release the wing nuts.

→ Turn the vacuum bar.

→ Tighten the wing nuts.

Inclination

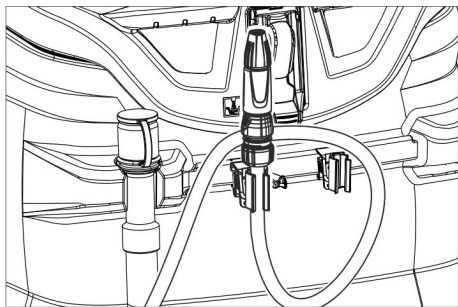
If the vacuum result is unsatisfactory the inclination of the straight vacuum bar can be modified.

→ Adjust the rotary handle to incline the suction bar.

Adjust wiping flaps

- Adjust the wiper flaps by turning the adjustment wheel so that they touch the floor.
- Turn the adjustment wheel an additional turn toward the bottom.

Spray nozzle (option)



The hose with the spray nozzle is attached to the back of the appliance. It serves for washing away dirt and for manual cleaning of the wastewater tank.

- Turn programme selector switch to "transport run".
- Press Info button.
- Turn the info button until "tank rinsing" is shown on the display.
- Press Info button.
- Turn the info button until "ON" is displayed.
- Press Info button.
The water pump delivers fresh water through the spray nozzle.

Emptying the Dirt Water Reservoir

NOTICE

Overflow wastewater tank. When the wastewater tank is full, the suction turbine switches off and "Wastewater tank full" is shown on the display.

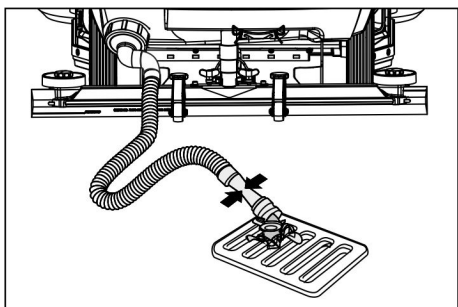
⚠ WARNING

Please observe the local provisions regarding the wastewater treatment.

- Take the dirt water discharge hose from the support and lower above a suited collection device.

NOTICE

The wastewater flow can be controlled by squeezing the dosing unit.



- Let off water by opening the dosage device at the discharge hose.
- Rinse the dirt water reservoir with clear water.

Emptying the Fresh Water Tank

- Open the lock of the fresh water reservoir.
- Drain the fresh water.
- Attach the closure of the fresh water tank.

Empty waste container (only with R cleaning head)

- Check the waste container. If needed, remove and empty waste container after work.

Shutting down

- Remove the Intelligent Key.
- Secure the machine with wheel chocks to prevent it from rolling away.
- Charge battery, if required.

Grey Intelligent Key

- Plug in the Intelligent Key.
- Select the desired function by turning the Info button.

The different functions are described in the following.

Transport run

- Turn programme selector switch to "transport run".
- Press Info button.

In the transport run menu the following settings can be made:

Key management

In this menu item the authorisations for yellow intelligent keys as well as the language of the display texts are selected.

- Turn the info button until "key management." is shown on the display.
- Press Info button.
- Remove the grey Intelligent Key and insert the yellow Intelligent Key to be programmed.
- Select the desired menu item to be modified by turning the Info button.
- Press Info button.
- Adjust the menu item by turning the Info button.
- Confirm the setting by pressing the menu item.
- Select the next menu item to be modified by turning the Info button.
- In order to save the authorisations, call the "Save?" menu by turning the info button and then press the info button.
- "Continue key menu":

Yes: Programme further Intelligent Key.

No: Exit key menu.

- Press Info button.

Selecting the brush shape

This function is required when changing the cleaning head.

- Turn the info button until "brush head" is shown on the display.
- Press Info button.
- Turn the info button until the desired brush shape is highlighted.
- Press Info button.
- Move the hoist drive for replacement of the cleaning head by turning the info button:
up: Raise
down: Lower
OFF: Stop
- Exit menu: Select "OFF" by turning the info button and press the info button.

When exiting the menu, the control performs a restart.

Stopping times

- Turn the info button until "stopping times" is shown on the display.
- Press Info button.
- Turn the info button until the desired assembly is highlighted.
- Press Info button.
- Turn the info button until the desired stopping time is reached.
- Press Info button.

Setting the battery type

- Turn the info button until "Battery menu" is displayed.
- Press Info button.
- Turn the info button until the desired battery type is highlighted.
- Press Info button.

Standard setting

Changes of the parameters of the individual cleaning programmes that were made during the operation are reset to the basic setting after switching off the appliance.

- Turn the info button until "Basic setting" is displayed.
- Press Info button.
- Turn the info button until the desired cleaning programme is displayed.
- Press Info button.
- Turn the info button until the desired parameter is displayed.
- Press Info button - the set value blinks.
- Set the desired value by turning the info button.
- Press Info button.

Setting the language

- Turn the info button until "Language" is displayed.
- Press Info button.
- Turn the info button until the desired language is highlighted.
- Press Info button.

Factory setting

The factory settings of all parameters are restored.

Cleaning Programs

Parameters that are adjusted with the grey Intelligent Key, are kept until another setting is selected.

- Turn the program selection switch to the desired cleaning program.
- Press the info button - the first adjustable parameter is displayed.
- Press Info button - the set value blinks.
- Set the desired value by turning the info button.
- Confirm the changed setting by pressing the Info button or wait till the set value is automatically accepted after 10 seconds.
- Select the next parameter by turning the Info button.
- After all desired parameters have been modified, turn the info button until "Exit menu" is displayed.
- Press the info button - you will exit the menu.

Transport

⚠ DANGER

Risk of injury! When loading or unloading the appliance, it may only be operated on gradients of max. 10% (Adv 15%). Drive slowly.

CAUTION

Risk of injury and damage! Observe the weight of the appliance when you transport it.

- When transporting in vehicles, secure the appliance according to the guidelines from slipping and tipping over.

With mounted D cleaning head

- Remove brushes from the brush head.

Storage

CAUTION

Risk of injury and damage! Note the weight of the appliance in case of storage.

- This appliance must only be stored in interior rooms.
- Select the storage site for the appliance taking into consideration the permissible total weight of the appliance in order not to impact its stability.

Maintenance and care

⚠ DANGER

Risk of injury! Before working on the appliance, remove the Intelligent Key and the mains plug of the charger. Pull out the battery plug.

- Drain and dispose of the dirt water and the residual fresh water.

⚠ CAUTION

Risk of injury due to overrun of the suction turbine.

Suction turbine will continue to run for a while after switch-off. Carry out maintenance tasks only after the suction turbine has come to a halt.

Maintenance schedule

After the work

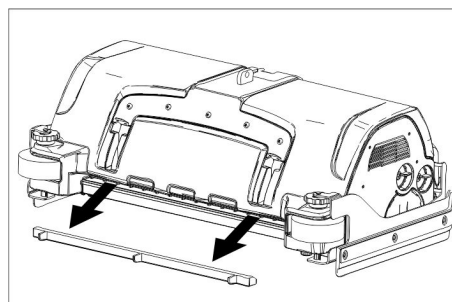
ATTENTION

Risk of damage. Do not sluice the appliance with water and do not use aggressive detergents.

- Drain off dirt water.
- Clean protective turbine strainer.
- Only with R cleaning head Remove bulk waste container and empty it.
- Clean the outside of the appliance with a damp cloth which has been soaked in mild detergent.
- Clean the vacuum lips and the wiping lips, check for wear and replace if required.
- Check the brushes for wear, replace if required.
- Charge battery.

Monthly

- During long operating pauses: Carry out refill charging for the battery.
- Check battery pole for oxidation; brush it if required and lubricate it using pole grease. Ensure that the connection cable sits firmly.
- Clean the seals between dirt water reservoir and cover and check for tightness, replace if required.
- Check the acid density of the cells if the batteries are not maintenance-free batteries.
- Clean the brush tunnel (only R cleaning head)



- Remove the water distribution strip from the cleaning head and clean water canal (only R cleaning head).

Yearly

- Have the prescribed inspection carried out by the customer service.

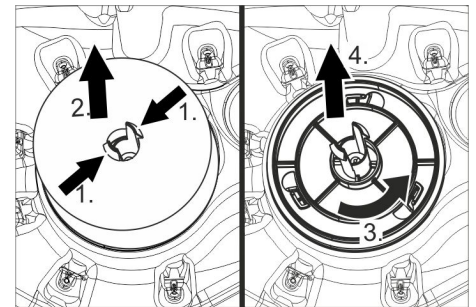
Maintenance Works

Maintenance contract

To ensure a reliable operation of the appliance maintenance contracts can be concluded with the competent Kärcher sales office.

Cleaning the protective turbine strainer

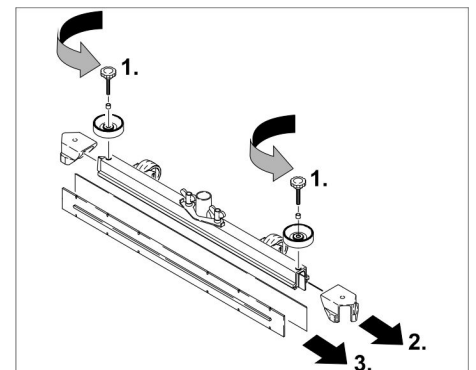
- Open the cover of the wastewater reservoir.



- Squeeze the locking hooks.
- Pull off the float.
- Turn the protective turbine strainer in a counter-clockwise direction.
- Remove protective turbine strainer.
- Rinse dirt off the protective turbine strainer with water.
- Reattach protective turbine strainer.
- Attach float.

Replacing the vacuum lips

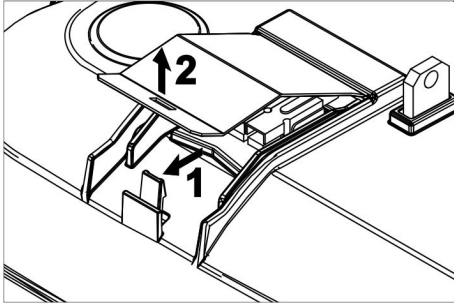
- Remove the vacuum bar.
- Unscrew the star grips.



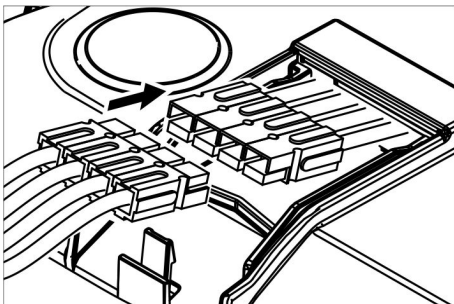
- Remove the plastic parts.
- Remove the vacuum lips.
- Insert new vacuum lips.
- Insert the plastic parts.
- Screw in and tighten the star grips.

Install D cleaning head

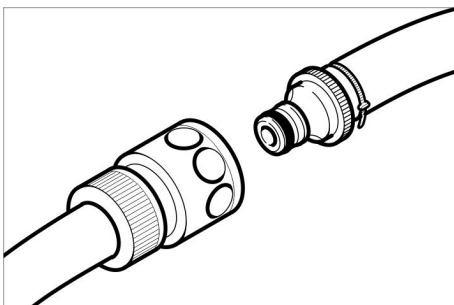
- Lift the holder of the cleaning head (see Chapter "Grey intelligent key/.../cleaning head replacement").
- Slide the cleaning head under the appliance so that the hose points toward the rear.
Only slide the cleaning head halfway under the appliance.



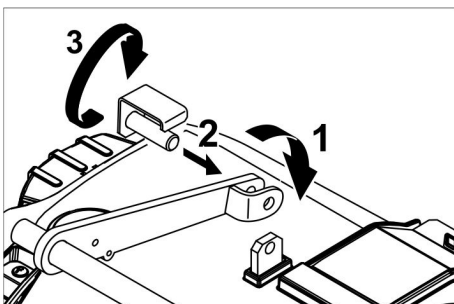
- Remove the lid of the cleaning head.



- Connect the power cord of the cleaning head to the appliance (same colours must meet).
- Replace the lid and lock it.
- Slide the cleaning head halfway under the appliance.

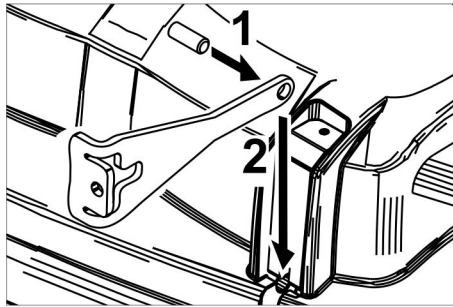


- Connect the hose couplers on the cleaning head to the hose on the appliance.



- Insert the tab into the middle of the cleaning head, between the fork of the lever.

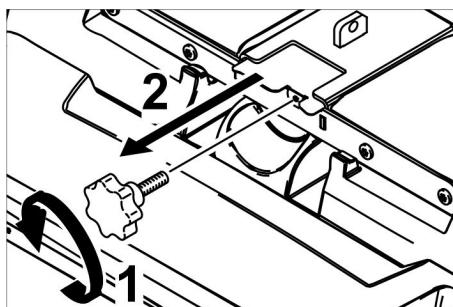
- Align the holder of the cleaning head so that the drilled holes in the lever and the cleaning head match.
- Insert the stop pin through the bushings and swivel the locking plate downward.



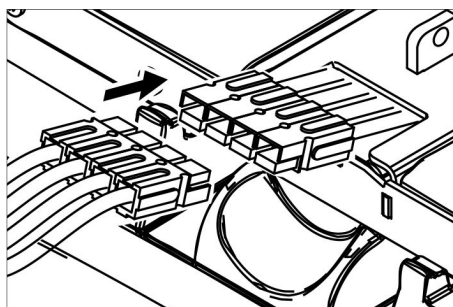
- Insert the cylinder pin into the boring of the drawbar.
- Slide the drawbar with the pin the guide channel on the cleaning head all the way to the bottom.
- Insert the locking plate into the guide channel and lock it in.
- Repeat process on the drawbar on the opposite side.
- Insert the grey intelligent key.
- Set brush type "Disc".

Install R cleaning head

- Lift the holder of the cleaning head (see Chapter "Grey intelligent key/.../cleaning head replacement").
- Slide the cleaning head under the appliance so that the hose points toward the rear.
Only slide the cleaning head halfway under the appliance.

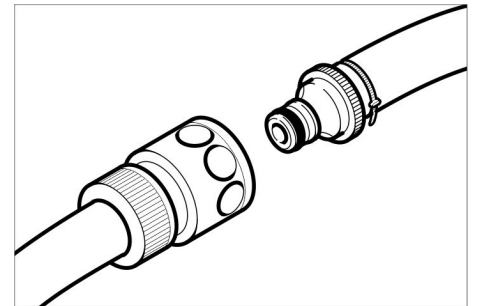


- Unscrew the star handle and remove the lid.

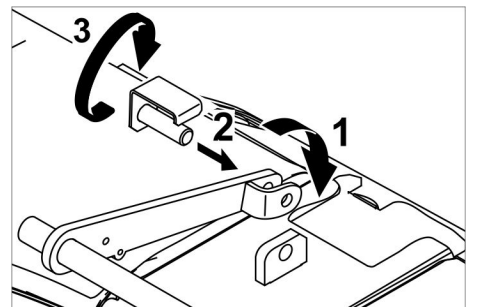


- Connect the power cord of the cleaning head to the appliance (same colours must meet).
- Slide the lid in and screw tight.

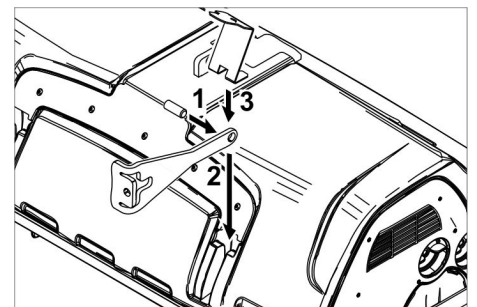
- Slide the cleaning head halfway under the appliance.



- Connect the hose couplers on the cleaning head to the hose on the appliance.

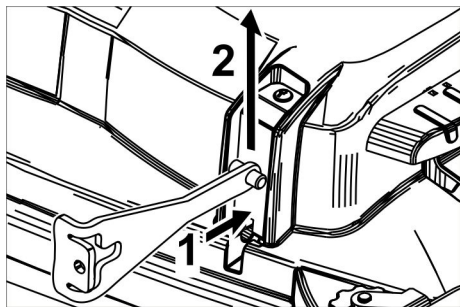


- Insert the tab into the middle of the cleaning head, between the fork of the lever.
- Align the holder of the cleaning head so that the drilled holes in the lever and the cleaning head match.
- Insert the stop pin through the bushings and swivel the locking plate downward.



- Insert the cylinder pin into the boring of the drawbar.
- Slide the drawbar with the pin the guide channel on the cleaning head all the way to the bottom and lock.
- Repeat process on the drawbar on the opposite side.
- Insert the grey intelligent key.
- Set brush type "Brush".

Remove D cleaning head



- Press in the locking plate and swivel the drawbar upward.

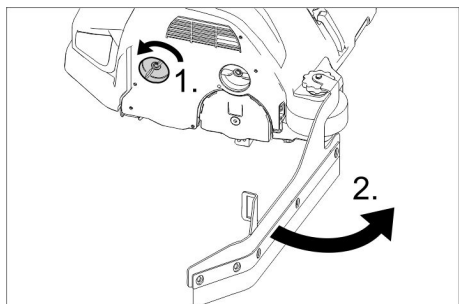
The subsequent removal will take place in the opposite order of the installation.

Remove R cleaning head

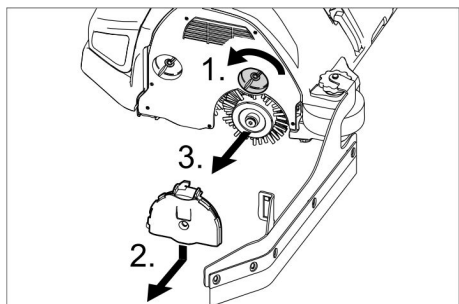
The removal will take place in the opposite order of the installation.

Replacing the brush rollers

- Lift the cleaning head.



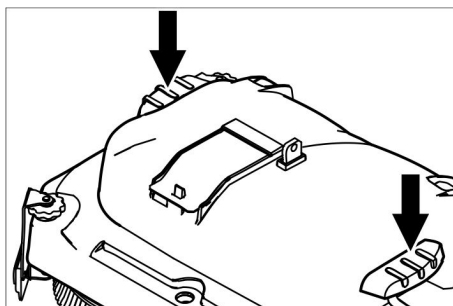
- Loosen the lock of the wiper flap.
- Swivel the wiping flap out of the way.



- Loosen the lock of the wiper flap.
- Push the bearing lid down and remove.
- Pull out the brush roller.
- Insert a new brush roller.
- Reattach the bearing lid and the wiper flap in reverse sequence.
- Repeat process on the opposite side.

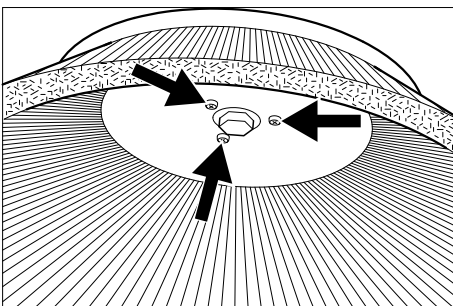
Replacing the Disk Brushes

- Lift the cleaning head.



- Press the pedal for changing the brushes downward beyond its resistance.
- Pull the disc brush out of the side below the cleaning head.
- Hold the new disc brush under the cleaning head, push upward and lock.

Replacing the side brush (only with SB version)



- Loosen 3 screws.
- Remove the wiper blade.
- Push in the new side brush.
- Tighten 3 screws.

Frost protection

In case of danger of frost:

- Empty the fresh and dirt water reservoirs.
- Store the appliance in a frost-protected room.

Troubleshooting

⚠ DANGER

Risk of injury! Before working on the appliance, remove the Intelligent Key and the mains plug of the charger. Pull out the battery plug.

- Drain and dispose of the dirt water and the residual fresh water.

CAUTION

Risk of injury due to overrun of the suction turbine.

Suction turbine will continue to run for a while after switch-off. Carry out maintenance tasks only after the suction turbine has come to a halt.

In case of faults that cannot be remedied using the table below please contact the customer service.

Fault indication

If errors appear on the display, then proceed as follows:

- Turn the program selection switch to "OFF".
- Wait till the text on the display has disappeared.
- Turn the programme switch into the previous position.

Only carry out the troubleshooting measures in the indicated order if the error occurs again. The key switch must be in the "0" position and the emergency stop button pressed.

- If the fault cannot be repaired, call customer service and mention the error message.

NOTICE

Error messages that are not listed in the following table, point to errors that cannot be fixed by the operator. If these are displayed, consult Customer Service.

Faults with display

Display	Cause	Remedy
Seat switch open!	Seat contact switch has not been activated.	→ Release the drive pedal. Have a seat.
Release accelerator!	The gas pedal is depressed when the main switch is on.	→ Release drive pedal and reactivate.
No direction of travel!	Travel direction switch or cable connection defective.	→ Call customer service.
Battery discharged!	Battery voltage too low.	→ Charge battery.
Battery voltage inadmissible!	Battery voltage is above or below the admissible range.	→ Call customer service.
Charger defective!	Error on the charger, charging is not possible.	→ Check the charger.
Fresh water tank empty!	The fresh water tank is empty.	→ Fill up fresh water reservoir.
Brush pressure not reached!	Timeout brush contact pressure control.	→ Check brush wear, replace brush if required. → Check the function of the brush heads: lowering, raising.
Waste water tank full!	wastewater reservoir is full.	→ Empty the dirt water reservoir.
	Level sensor or cable connection defective.	→ Call customer service.
Brake defective!	Brake defective.	→ Do not drive the appliance. → Call customer service.
Propulsion motor hot! Allow to cool down!	Motor protection was triggered	→ Bring the safety switch into the "0" position. → Allow machine to cool down at least for 15 minutes. → Contact aftersales service in case of recurrence.
Horn defective!	Horn defective.	→ Call customer service.
Control is hot! Allow to cool down!	Performance electronics of lift module (A4) too hot	→ Bring the safety switch into the "0" position. → Allow control to cool down at least 5 minutes. → Significantly reduce the brush pressure with rough ground. → Contact aftersales service in case of recurrence.
Brush motors overloaded!	Load of the brush heads asymmetric.	→ Adjust brush level.

Faults without display on the console

Fault	Remedy
Appliance cannot be started	Seat switch not operated, sit down on the seat. The machine operates only if the operator is seated on the seat.
	Bring the safety switch into the "1" position.
	Set the programme switch to "OFF". Wait for 10 seconds. Set the programme selector switch to previous function. If possible, drive the appliance on level grounds only. Check parking brake and foot brake if necessary.
	Take the foot off the accelerator pedal prior to switching on the safety switch. If the fault recurs, call the aftersales service.
	Check battery; charge it, if needed
Insufficient water quantity	Check fresh water level, refill tank if necessary.
	Check hoses for blockages; clean if required.
	R cleaning head: Remove the water distributor strip and clean it.
	Clean the fresh water filter.
Insufficient vacuum performance	Clean the seals between dirt water reservoir and cover and check for tightness, replace if required.
	Check protective turbine strainer for soiling, clean if necessary.
	Clean the vacuum lips on the vacuum bar, turn or replace if required
	Check if the cover on the dirt water discharge hose is closed
	Check suction hose for blockages; clean if required.
	Check the suction hose for tightness; replace if required.
	Check the setting of the vacuum bar.
Attach additional weight (accessory) to the vacuum bar.	
Insufficient cleaning result	Set/ adjust contact pressure.
	Adjust wiper lips.
	Check the brushes for wear, replace if required.
Brushes do not turn	Reduce contact pressure.
	Check if foreign matters block the brushes; remove foreign matter if required.
	Motor overloaded, allow to cool down. Set the programme switch to "OFF". Wait for 10 seconds. Set the programme selector switch to previous function.
Drain hose for dirty water is blocked	Open dosing equipment at the drain hose. Pull out the suction hose from suction beam and close it by hand. Set the program selection switch to suction or vacuuming. The blockage will be sucked out from the drain hose into the dirt water tank.
Detergent metering Dose (only Dose) does not function properly	Inform Customer Service.

Technical specifications

B 150		R 75	D 75	R 90	D90
Power					
Nominal voltage	V	36			
Battery capacity	Ah (5h)	180/240			
Average power consumption	W	2700	2400	2800	2500
Nominal power engine (Adv)	W	600 (1400)			
Suction engine output	W	750			
Brush engine output	W	2 x 600		2 x 750	2 x 600
Vacuuming					
Cleaning power, air quantity	l/s	26			
Cleaning power, negative pressure	kPa	18,0			
Cleaning brushes					
Working width	mm	750		900	
Brush diameter	mm	105	410	105	450
Brush speed	1/min	1200	140	1200	140
Dimensions and weights					
Driving speed, max. (Adv)	km/h	6 (10)			
Slope max. (Adv)	%	10 (15)			
Theoretical surface capacity (Adv)	m ² /h	4500 (7500)		5400 (10000)	
Fresh/dirt water reservoir volume	l	150			
Capacity coarse dirt container	l	7	-	9	-
Water pressure filling system**, waste water tank rinsing system**, max.	MPa (bar)	1 (10)			
Length	mm	1690			
Width (without vacuum bar)	mm	810	810	910	980
Height	mm	1390			
Permissible overall weight (Adv)	kg	820 (838)			
Transport weight (Adv)	kg	586 (604)			
Surface load (with driver and full fresh water tank)					
Front wheel	N/cm ²	94			
Rear wheel	N/cm ²	51			
Values determined as per EN 60335-2-72					
Vibration total value on arms	m/s ²	<2,5			
Vibration total value on seat area	m/s ²	<2,5			
Uncertainty K	m/s ²	0,1			
Sound pressure level L _{pA}	dB(A)	67			
Uncertainty K _{pA}	dB(A)	2			
Sound power level L _{WA} + Uncertainty K _{WA}	dB(A)	85			

** option

Accessories and Spare Parts

- Only use accessories and spare parts which have been approved by the manufacturer. The exclusive use of original accessories and original spare parts ensures that the appliance can be operated safely and trouble free.
- At the end of the operating instructions you will find a selected list of spare parts that are often required.
- For additional information about spare parts, please go to the Service section at www.kaercher.com.

Warranty

The warranty terms published by the relevant sales company are applicable in each country. We will repair potential failures of your appliance within the warranty period free of charge, provided that such failure is caused by faulty material or defects in manufacturing. In the event of a warranty claim please contact your dealer or the nearest authorized Customer Service centre. Please submit the proof of purchase.

REMARQUE :

Cet appareil est conforme à la section 15 des réglementations de la FCC et aux normes RSS exemptes de licence d'Industrie Canada.

Le fonctionnement est sujet aux deux conditions suivantes :

- (1) cet appareil ne doit pas provoquer d'interférences néfastes, et
- (2) cet appareil doit tolérer les interférences reçues, y compris celles qui risquent de provoquer un fonctionnement indésirable.

REMARQUE :

Tout changement ou toute modification apporté à cet équipement qui ne serait pas expressément approuvé par Kärcher pourrait annuler l'autorisation de la FCC d'exploiter cet équipement.

REMARQUE : Cet appareil a été testé et déclaré conforme aux limites relatives aux dispositifs numériques de classe B, conformément à la section 15 des réglementations de la FCC. Ces limites sont destinées à assurer un niveau de protection adéquat contre les interférences dans les installations résidentielles. Cet équipement produit, utilise et peut émettre des fréquences radioélectriques et, s'il n'est pas installé ou utilisé conformément aux directives, peut brouiller les ondes radio. Toutefois, il est impossible de garantir qu'aucune interférence ne se produira dans une installation particulière. Si cet équipement brouille la réception des ondes radio et télévision, ce que vous pouvez déterminer en éteignant et en rallumant l'appareil, nous vous encourageons à prendre l'une ou plusieurs des mesures correctives suivantes :

- Réorienter ou déplacer l'antenne de réception.
- Augmenter l'écart entre l'équipement et le récepteur.
- Connecter l'équipement à une prise ou à un circuit électrique différent de celui auquel est branché le récepteur.
- Consultez votre revendeur ou un technicien radio/télé expérimenté si vous avez besoin d'aide.

CONSIGNES DE SÉCURITÉ IMPORTANTES

Lire toutes les instructions de service avant d'utiliser l'appareil.

⚠ AVERTISSEMENT

Afin de réduire les risques d'incendie, d'électrocution et de blessures, prendre les précautions suivantes :

- 1 Ne pas laisser l'appareil sans surveillance lorsqu'il est branché. Débrancher l'appareil lorsqu'il n'est pas utilisé et avant de procéder à l'entretien.
- 2 Utiliser l'appareil exclusivement en intérieur pour réduire les risques d'électrocution.
- 3 Cet appareil n'est pas un jouet. Ne jamais le laisser sans surveillance lorsqu'il est utilisé à proximité d'enfants.
- 4 Respecter impérativement les consignes d'utilisation de ce manuel. Utiliser uniquement les accessoires recommandés par le fabricant.
- 5 Ne pas mettre l'appareil en service en cas d'endommagement du cordon ou de la prise. Si l'appareil ne fonctionne pas correctement, s'il est tombé, s'il a été endommagé, s'il est resté à l'extérieur ou est tombé dans l'eau, le retourner à un centre de service.
- 6 Ne pas tirer ou transporter l'appareil par le cordon électrique ou se servir de ce dernier comme d'une poignée. Veiller à ne pas coincer le cordon dans une porte et éviter de le tirer sur des bords ou des coins tranchants. Ne pas rouler sur le cordon électrique. Tenir le cordon à l'écart des surfaces chaudes.
- 7 Ne pas tirer sur le cordon électrique pour débrancher l'appareil. Tirer au niveau de la fiche pour déconnecter l'appareil du secteur.
- 8 Ne pas manipuler l'appareil ou la fiche avec les mains mouillées.
- 9 Ne rien introduire dans les orifices. Ne pas utiliser l'appareil si l'un des orifices est obstrué. Protéger les orifices de la poussière, des peluches, des cheveux et autres matières susceptibles de réduire le débit d'air.
- 10 Veiller à ne pas approcher les cheveux, vêtements larges, doigts ou toute autre partie du corps des orifices et composants mobiles de l'appareil.
- 11 Désactiver toutes les commandes avant de débrancher l'appareil.
- 12 Faire particulièrement attention lors du nettoyage d'escaliers.

13 Ne pas aspirer de liquides inflammables ou combustibles, tels que de l'essence avec l'appareil. Ne pas utiliser ce dernier dans des zones susceptibles de contenir de tels produits.

14 Brancher uniquement sur une prise correctement reliée à la terre. Voir les instructions de mise à terre.

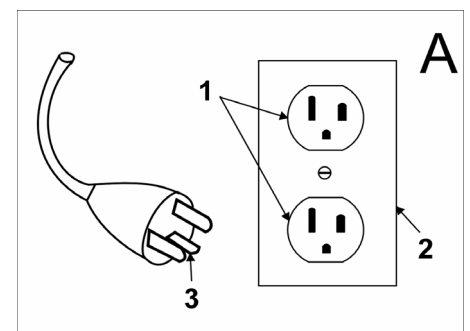
CONSERVER CES INSTRUCTIONS !**Instructions de mise à terre**

Ce produit doit être mis à la terre. En cas de mauvais fonctionnement ou de panne, la mise à la terre établit un chemin de moindre résistance pour le courant électrique afin de réduire le risque de décharge électrique. Ce produit est équipé d'un cordon doté d'un conducteur de mise à la terre de l'équipement et d'une prise de mise à la terre. La prise doit être branchée dans une prise appropriée qui est correctement installée et mise à la terre en conformité avec les codes et ordonnances locaux.

⚠ DANGER

Un conducteur de mise à la terre d'équipement incorrectement branché peut entraîner un risque d'électrocution. Vérifier avec un électricien ou un technicien d'entretien qualifié en cas de doute sur la mise à terre correcte de la prise. Ne pas modifier la fiche fournie avec le produit - si elle ne peut pas être branchée, faire installer une prise appropriée par un électricien qualifié. N'utiliser aucun type d'adaptateur avec ce produit.

Cet appareil a été conçu pour fonctionner à une tension nominale de 120 volts ; sa fiche de mise à la terre est similaire à celle illustrée à la figure A. S'assurer que la prise de courant utilisée est compatible avec la fiche secteur. Ne pas utiliser d'adaptateur pour brancher cet appareil.

BRANCHER UNIQUEMENT SUR UNE PRISE CORRECTEMENT RELIÉE À LA TERRE

- 1 Prise reliée à la terre
- 2 Socle de prise de courant
- 3 Fiche de mise à terre

QUALIFICATION DES UTILISATEURS

Seules les personnes formées et habilitées sont autorisées à utiliser les autolaveuses motorisées. Les utilisateurs de ces appareils doivent avoir les aptitudes visuelles et auditives ainsi que les capacités physiques et mentales requises pour utiliser cet équipement en toute sécurité.

FORMATION DES UTILISATEURS

Les personnes n'ayant pas été formés à l'utilisation des autolaveuses motorisées sont autorisées à se servir de ce type d'appareil uniquement dans le cadre de formations, et ce sous la surveillance d'un formateur. En outre, les formations doivent être effectuées dans des zones exemptes de tout obstacle, d'autres véhicules et de piétons. Le programme de formation doit comprendre l'apprentissage du règlement et des conditions d'utilisation propres au site dans lequel les utilisateurs feront usage de l'autolaveuse ainsi qu'une initiation à l'emploi du modèle particulier d'autolaveuse qui sera utilisé. Le programme de formation sera proposé à tous les nouveaux utilisateurs, quelle que soit leur expérience antérieure.

Au cours de la formation, le stagiaire sera informé des points suivants :

- A Sa responsabilité principale est d'utiliser l'autolaveuse motorisée en toute sécurité, en respectant les instructions prescrites dans le cadre du programme de formation.
- B L'utilisation incorrecte d'une autolaveuse motorisée et le non-respect des mesures de sécurité peuvent provoquer : une mise en danger de l'utilisateur ou de tiers (blessures graves voire mortelles) ; l'endommagement de l'autolaveuse ou d'autres dégâts matériels.

Le programme de formation portera essentiellement sur l'utilisation correcte et en toute sécurité de l'appareil afin d'éviter toute blessure de l'utilisateur ou d'un tiers et de prévenir les dégâts matériels. Elle abordera en outre les aspects suivants :

- A Caractéristiques principales de l'autolaveuse ou des autolaveuses motorisées que le stagiaire utilisera :
 - 1 caractéristiques de l'autolaveuse ou des autolaveuses motorisées, y compris les différences entre les autolaveuses motorisées employées sur le lieu de travail ;

- 2 similitudes et différences avec les automobiles ;
- 3 signification des données de plaque signalétique, des mises en garde et des instructions apposées sur l'autolaveuse motorisée ;
- 4 consignes d'utilisation et mises en garde du manuel d'utilisation de l'autolaveuse motorisée et instructions relatives aux contrôles et opérations d'entretien incombant à l'utilisateur ;
- 5 type de force motrice et ses caractéristiques ;
- 6 méthode de conduite ;
- 7 méthode de freinage et ses caractéristiques ;
- 8 visibilité avant et arrière ;
- 9 caractéristiques de stabilité avec et sans chargement ainsi qu'avec et sans accessoires ;
- 10 emplacement des commandes, fonctions, instructions d'utilisation, identification des symboles ;
- 11 chargement de la batterie ;
- 12 carters et dispositifs de protection pour le type correspondant d'autolaveuse motorisée ;
- 13 autres caractéristiques du modèle particulier d'autolaveuse motorisée.

B Environnement d'utilisation et son influence sur le fonctionnement de l'autolaveuse motorisée :

- 1 nature et état du sol ou du terrain, y compris les conditions temporaires ;
- 2 rampes et pentes ;
- 3 dispositif de chargement de la batterie ;
- 4 allées étroites, portes, câbles aériens, tuyauterie et autres zones difficiles d'accès ;
- 5 zones dans lesquelles il est possible d'utiliser l'autolaveuse motorisée à proximité d'autres machines industrielles, véhicules ou piétons ;
- 6 utilisation et capacité des élévateurs ;
- 7 utilisation à proximité d'un bord de quai ou d'un terrain viabilisé ;
- 8 d'autres conditions d'utilisation et risques peuvent se présenter.

C Utilisation de l'autolaveuse motorisée, notamment :

- 1 contrôle minutieux avant la prise de poste et méthode appropriée pour la mise hors service d'une autolaveuse motorisée nécessitant des réparations ;
- 2 déplacement de l'appareil, virages ;
- 3 procédures relatives au stationnement et à l'arrêt ;

- 4 autres conditions d'utilisation particulières pour l'application spécifique.

D Règles de sécurité et pratiques relatives à l'utilisation, notamment :

- 1 dispositions relatives aux normes décrites dans la section « Règles de sécurité et pratiques relatives à l'utilisation » ;
- 2 autres règles, réglementations ou pratiques précisées par l'employeur pour l'endroit où l'autolaveuse motorisée sera utilisée.

E Exercices pratiques d'utilisation, notamment :

- 1 si possible, une utilisation pratique des autolaveuses motorisées doit être effectuée dans une zone éloignée du personnel et de toute autre activité exercée sur le lieu de travail ;
- 2 cet exercice pratique sera réalisé sous la surveillance du formateur ;
- 3 il consistera en l'utilisation concrète de l'appareil ou en des simulations de toutes les tâches telles que les manœuvres, le déplacement, l'arrêt, le démarrage et autres commandes réalisées dans des conditions similaires à celles qui seront rencontrées lors de l'utilisation de l'autolaveuse motorisée.

TESTS, FORMATION DE RECLASSEMENT ET APPLICATION

- A Au cours de la formation, des tests pratiques et tests écrits et/ou oraux seront proposés par l'employeur pour évaluer les compétences et les connaissances du stagiaire et s'assurer qu'elles répondent aux exigences des normes. Les employeurs pourront déléguer ces tests à d'autres membres du personnel. Cependant ils en seront toujours responsables. Des archives pertinentes seront tenues.
- B Les utilisateurs devront suivre de nouvelles formations en cas d'introduction de nouveaux équipements ou de modifications des équipements existants, en cas de changement des conditions d'utilisation ou si leurs performances ne se révèlent pas satisfaisantes.
- C L'utilisateur est tenu pour responsable du respect des précautions de sécurité lors de l'utilisation de l'autolaveuse motorisée, conformément aux exigences des normes.

REMARQUE : des informations sur les formations des utilisateurs sont disponibles auprès de sources variées,

comme les fabricants d'autolaveuses motorisées, les organismes administratifs chargés de la sécurité des employés, les organisations professionnelles d'utilisateurs de machines industrielles, des organisations publiques et privées, ainsi que des spécialistes en matière de sécurité.

REGLES DE SECURITE ET PRATIQUES RELATIVES A L'UTILISATION

Responsabilité de l'utilisateur

L'utilisateur est responsable de l'utilisation en toute sécurité de l'appareil. L'utilisateur devra mettre en œuvre des habitudes de travail fiables et être conscient des facteurs pouvant représenter des risques afin de prévenir toute mise en danger de sa propre personne, des tiers, de l'autolaveuse motorisée et de tout autre équipement.

Avant d'utiliser l'appareil, l'utilisateur devra avoir acquis une connaissance approfondie des fonctions et du fonctionnement de toutes les commandes et de tous les instruments.

Avant d'utiliser l'appareil, l'utilisateur devra avoir lu et s'être familiarisé avec le manuel d'utilisation de l'appareil en question. Il devra par ailleurs se conformer aux règles de sécurité et pratiques décrites dans les paragraphes suivants.

Avant d'utiliser quelque appareil que ce soit, l'utilisateur doit être conscient des éventuelles conditions d'utilisation inhabituelles pouvant nécessiter des précautions de sécurité supplémentaires ou la mise en œuvre d'instructions d'utilisation particulières.

Généralités

Avant d'utiliser l'autolaveuse motorisée :

- A se mettre en position de service ;
- B régler les commandes de direction en position neutre ;
- C activer le frein ;
- D mettre le commutateur sur ON.

Ne pas démarrer ou utiliser l'appareil, ni aucune de ses fonctions ou accessoires, à partir d'un autre endroit que celui réservé à l'utilisateur.

Garder les mains et les pieds à l'intérieur de l'espace réservé à l'utilisateur ou, le cas échéant, dans le logement de l'appareil prévu à cet effet.

Apprécier les limites de l'appareil et utiliser ce dernier en respectant les règles de sécurité de manière à ne pas blesser le personnel. Toujours protéger les piétons.

- A Ne pas diriger l'autolaveuse motorisée vers une personne se tenant devant un objet.
- B S'assurer qu'aucun individu ne se trouve dans la zone située à l'arrière de l'appareil avant de procéder à des manœuvres de changement de direction.
- C Être particulièrement attentif dans les croisements, à l'approche de portes et à tout autre endroit où des piétons risquent d'apparaître sur le parcours de l'autolaveuse motorisée.

Ne jamais autoriser des passagers sur les autolaveuses motorisées sauf lorsqu'un emplacement sécurisé a été prévu par le fabricant à cet effet.

Une autolaveuse motorisée est sous la surveillance de l'utilisateur lorsque ce dernier se trouve à moins de 7,6 mètres et que l'appareil ne quitte pas son champ de vision.

Une autolaveuse motorisée est considérée comme abandonnée lorsque l'utilisateur se trouve à plus de 7,6 mètres, même si l'appareil est toujours dans son champ de vision ou lorsqu'il quitte son poste et que l'appareil n'est plus dans son champ de vision.

Avant de quitter le poste de l'utilisateur :

- A arrêter l'appareil ;
- B régler les commandes de direction en position neutre ;
- C actionner le frein à main ;
- D éteindre le moteur ou arrêter toutes les commandes ;
- E si l'appareil doit stationner sur une pente, caler les roues.

Conserver une distance de sécurité avec les bords des rampes, des plates-formes et de toutes les autres surfaces de travail du même type.

Lors du chargement et du déchargement des autolaveuses motorisées dans des camions ou remorques, les freins de ces derniers doivent être actionnés. En outre, installer des cales de roue ou tout autre dispositif de blocage mécanique similaire afin de prévenir les déplacements involontaires des camions ou des remorques.

Lors du chargement et du déchargement d'autolaveuses motorisées dans des semi-remorques non tractées, des supports peuvent s'avérer nécessaires pour éviter tout renversement ou basculement sur les côtés.

Faire particulièrement attention à ne pas entrer en contact avec des installations aériennes (dispositifs d'éclairage, câbles, tuyaux, extincteurs automatiques, etc.)

Signaler tout incident affectant des membres du personnel, des bâtiments ou du matériel au chef d'équipe ou conformément aux instructions reçues.

Ne pas ajouter d'accessoires à l'appareil ni le modifier de quelque manière que ce soit.

Ne pas stationner à un endroit où l'appareil risque d'entraver les issues de secours, les cages d'escaliers ou les équipements de lutte contre l'incendie.

Conduite

Respecter le code de la route, y compris les limites de vitesse des chantiers. Dans des conditions de circulation normales, serrer à droite.

Maintenir une distance de sécurité avec le véhicule qui précède, en fonction de la vitesse. Garder le contrôle de l'appareil en toutes circonstances.

Céder la priorité aux piétons ainsi qu'aux véhicules d'urgence comme les ambulances et les camions de pompiers.

Ne pas dépasser de véhicule circulant dans la même direction au niveau des croisements, des angles morts ou tout autre endroit dangereux.

Ralentir et actionner le ou les avertisseur(s) sonore(s) aux croisements ou chaque fois que la visibilité est limitée.

Traverser les voies ferrées à angle droit lorsque c'est possible. Ne pas garder l'appareil à moins de 1,8 m de la voie ferrée ou du rail le plus proche.

Monter et descendre les côtes lentement et avec prudence. Si possible, éviter de tourner et faire particulièrement attention en côte et sur les rampes où il faut normalement se déplacer en ligne droite.

Veiller à conserver une vue bien dégagée du trajet à emprunter et être attentif à la circulation des autres véhicules, aux déplacements des membres du personnel, ainsi qu'aux espaces de dégagement.

Quelles que soient les conditions de circulation, conserver une vitesse permettant d'arrêter l'appareil en toute sécurité.

Lors du démarrage et de l'arrêt, ainsi que dans les virages et lors des changements de direction, effectuer les manœuvres sans à-coups afin de ne pas renverser le chargement et/ou l'autolaveuse motorisée.

Ne jamais adopter de conduite dangereuse (cascades, acrobaties etc.)

Ralentir sur les sols mouillés et glissants.

Avant de déplacer l'appareil sur un pont de chargement ou un pont de liaison, s'assurer que celui-ci est correctement sécurisé. Avancer prudemment et lentement sur le pont de chargement ou pont de liaison. Ne jamais dépasser la charge maximale autorisée.

Ne jamais conduire l'autolaveuse motorisée sur un élévateur, sauf autorisation expresse préalable. Dans ce cas, approcher lentement de l'élévateur et entrer tout droit lorsque celui-ci est arrêté à niveau. Ensuite, placer les commandes de l'appareil en position neutre, couper le contact et serrer le frein de stationnement. Il est préférable que les membres du personnel éventuellement présents dans l'ascenseur en sortent avant l'entrée ou la sortie de l'autolaveuse motorisée.

Dans les virages, ralentir et adopter une vitesse de sécurité adaptée à l'environnement d'utilisation. Les virages doivent être abordés sans à-coups. Sauf lors de manœuvres à vitesse très réduite, tourner le volant de façon régulière et sans à-coups.

L'utilisation d'une autolaveuse motorisée nécessite des mesures de sécurité particulières, décrites ci-dessous.

A L'utilisateur doit absolument ralentir suffisamment avant de procéder à des virages sous peine de renverser l'autolaveuse motorisée. Les phénomènes suivants indiquent que la vitesse d'un véhicule est trop élevée dans les virages :

- 1 dérapages ;
- 2 basculement du véhicule ;
- 3 soulèvement des roues ;
- 4 nécessité de se retenir fermement au volant afin de ne pas glisser du siège.

B Le risque de renversement latéral est accru dans les conditions suivantes (individuelles ou combinées) :

- 1 conduite sur une surface non plane ;
- 2 conduite à une vitesse trop élevée.

C Le risque de basculement vers l'avant est accru dans les conditions suivantes (individuelles ou combinées) :

- 1 Si l'autolaveuse motorisée tombe d'un pont de chargement ou d'une rampe. Dans ce cas, l'utilisateur ne doit pas quitter l'autolaveuse. Il doit se cramponner fermement et s'éloigner du point d'impact.
- 2 Lorsque l'environnement constitue un danger important ou en cas de conditions d'utilisation inhabituelles. L'utilisateur peut alors recourir à des mesures de sécurité

différentes ou supplémentaires et respecter des instructions d'utilisation adaptées aux conditions particulières.

Entretien de l'appareil par l'utilisateur

Au début de chaque prise de poste et avant chaque utilisation de l'autolaveuse motorisée, vérifier l'état de l'appareil, en inspectant tout particulièrement les éléments suivants :

- A état des pneus
- B sur les pneumatiques, vérifier la pression de gonflage
- C fonctionnement de l'avertisseur et autres dispositifs de sécurité
- D dispositifs d'éclairage
- E batterie
- F commandes
- G systèmes d'élévation et de basculement
- H chaînes et câbles
- I interrupteurs de fin de course
- J freins
- K mécanisme de direction
- L autres éléments ou dispositifs supplémentaires, conformément aux instructions de l'exploitant et/ou du fabricant.

Si le véhicule a besoin d'être réparé ou présente un risque quelconque, l'utilisateur doit le signaler immédiatement à son responsable et ne pas utiliser l'appareil avant résolution du problème.

Si, en cours d'utilisation, le véhicule s'avère dangereux de quelque façon que ce soit, signaler immédiatement le problème au responsable concerné et cesser l'utilisation de l'appareil avant résolution du problème.

Ne pas effectuer de réparations ou réglages à moins d'y être expressément autorisé.

Ne pas éclairer les batteries à l'aide d'un flamme vive pour vérifier le niveau d'électrolyte.

PROCÉDURES D'ENTRETIEN ET DE REMISE EN ETAT

L'utilisation de l'appareil peut devenir dangereuse si l'entretien est négligé ou si la remise en état ou les réglages nécessaires ne sont pas effectués en conformité avec les recommandations du fabricant. Par conséquent, il est nécessaire de prévoir des ateliers de maintenance, à l'intérieur ou l'extérieur des bâtiments, avec du personnel dûment formé, ainsi que d'établir des procédures détaillées.

Il est possible d'obtenir des guides des pièces détachées ainsi que des manuels d'entretien auprès du fabricant de l'autolaveuse.

Dans certains cas rares, non traités par ces manuels de référence, consulter directement le fabricant de l'autolaveuse motorisée.

La maintenance et l'inspection de l'appareil doivent être effectuées conformément aux procédures suivantes :

- A Les intervalles prescrits pour la maintenance, la lubrification et le contrôle du système doivent être respectés; se reporter aux instructions du fabricant.
- B La maintenance, les réparations, les réglages et l'inspection de l'appareil doivent être confiés exclusivement à des personnes formées et habilitées et effectués conformément aux recommandations du fabricant.

Soulever l'autolaveuse motorisée de manière stable et sécurisée lorsque cela est nécessaire pour une réparation ou un contrôle. Le démontage de composants, tels que les masses d'équilibrage ou les montants, modifie le centre de gravité et risque de créer une instabilité de l'appareil.

Avant de procéder au contrôle ou à la réparation d'une autolaveuse motorisée :

- A soulever les roues motrices du sol et débrancher la batterie. Utiliser des cales de roues ou autre procédé mécanique conçu pour assurer l'immobilisation de véhicules ;
- B bloquer le châssis avant toute intervention sur celui-ci ;
- C débrancher la batterie avant d'intervenir sur le système électrique ;
- D brancher le connecteur du chargeur exclusivement sur le connecteur de la batterie et jamais sur celui de l'appareil.

Le contrôle du fonctionnement de l'autolaveuse motorisée doit être effectué dans une zone autorisée et sécurisée.

A Avant d'utiliser l'autolaveuse motorisée :

- 1 se mettre en position de service ;
 - 2 activer le frein ;
 - 3 régler les commandes de direction en position neutre ;
 - 4 mettre le commutateur sur ON ;
 - 5 contrôler le fonctionnement des systèmes d'élévation et de basculement, la direction, l'avertisseur sonore et les freins.
- B Avant de quitter l'autolaveuse motorisée :
- 1 arrêter l'appareil ;

- 2 régler les commandes de direction en position neutre ;
- 3 actionner le frein à main ;
- 4 couper le moteur ou mettre l'appareil hors tension ;
- 5 arrêter le circuit de commande ;
- 6 si l'appareil doit stationner sur une pente, caler les roues.

Eviter les risques d'incendie et s'assurer que les locaux sont dotés des équipements nécessaires pour la lutte contre l'incendie. Ne jamais éclairer les batteries à l'aide d'une flamme vive pour vérifier le niveau des liquides, en particulier celui de l'électrolyte. Ne jamais utiliser de bacs ouverts contenant du carburant ou des produits de nettoyage inflammables pour nettoyer les composants de l'autolaveuse motorisée.

Ventiler suffisamment la zone de travail, aérer pour évacuer les gaz d'échappement et veiller à ce que l'atelier soit toujours propre et sec.

Inspecter régulièrement les freins, la direction, les mécanismes de commande et de direction, les avertisseurs, les feux, les régulateurs, ainsi que les dispositifs de protection et de sécurité et les maintenir en parfait état de marche pour qu'ils puissent être utilisés sans danger.

NORMES DE SECURITE INCENDIE

Tout appareil dont le fonctionnement représente un risque doit être mis hors service.

Les réparations ne doivent pas être effectuées dans les zones de classe I, II et III.

La batterie doit être débranchée avant toute réparation sur le système électrique d'une autolaveuse.

Température de service : si la température d'un composant de l'autolaveuse motorisée dépasse la température de service normale et, par conséquent, devient source de danger, le véhicule doit être mis hors service et ne pas être réutilisé tant que la source de surchauffe n'a pas été réparée.

Prévention des incendies : L'autolaveuse motorisée doit être tenue propre et dans la mesure du possible, protégée des peluches, des déversements d'huile et de la graisse. L'utilisation de produits non inflammables est recommandée pour le nettoyage de l'autolaveuse motorisée. Les liquides inflammables dont le point d'ignition est égal ou supérieur à 37,8 °C (100 °F) ne sont pas autorisés.

Prendre les mesures appropriées concernant la toxicité, l'aération, et les risques d'incendie selon le produit ou solvant utilisé.

Visibilité de la plaque signalétique :

Les données techniques figurant sur la plaque signalétique de l'appareil ne doivent pas être recouvertes de peinture et les informations d'identification doivent rester visibles.

Remplacement et chargement des batteries :

Cette section concerne les batteries utilisées sur des véhicules électriques. Les deux types de batteries généralement utilisées sont les batteries au plomb et les batteries au ferro-nickel. Elles contiennent des composants chimiques corrosifs (acide ou alcalin) et représentent donc un risque chimique. Lors du chargement, les batteries dégagent de l'hydrogène et de l'oxygène qui, dans certaines conditions, peuvent se combiner pour former un mélange explosif.

Le chargement des batteries doit être effectué dans des endroits désignés à cet effet, où aucune matière combustible ne doit être stockée. Des équipements doivent être prévus pour :

- A rincer les déversements d'électrolyte ;
- B lutter contre l'incendie ;
- C protéger le matériel de chargement des endommagements par des véhicules et
- D pour assurer une ventilation suffisante afin d'évacuer les fumées produites par les batteries à essence.

Lorsque des chargeurs embarqués sont utilisés, le chargement doit être effectué dans des endroits prévus à cet effet, en fonction des exigences électriques du chargeur et des équipements pour la lutte contre l'incendie.

Exception : Les produits de rinçage ne sont pas nécessaires si le chargement est effectué sans retirer la batterie du véhicule.

Lors de la manipulation de concentrations d'acide supérieures à 50 % (densité au-delà de 1 400), une douche oculaire est indispensable.

Un transporteur, un palan suspendu ou autre équipement de manutention doit être prévu pour la manipulation des batteries.

Les appareils de levage à chaîne doivent être équipés de chaînes de levage. Lorsque des appareils de levage manuels sont utilisés, les batteries ouvertes doivent être recouvertes d'une feuille de contreplaqué ou autre maté-

riau non conducteur afin d'éviter les courts-circuits de la chaîne de manœuvre au niveau des pontets de connexion ou des bornes. Un palonnier correctement isolé doit être utilisé avec les palans suspendus.

La capacité des batteries rechargées ou batteries neuves doit être égale ou supérieure à celle indiquée sur l'appareil. Installer les batteries rechargées correctement dans l'appareil.

Un vide-tourie ou un siphon devra être prévu dans les locaux où de l'acide en touries est utilisé. Lors de la dilution d'acide sulfurique concentré pour obtenir de l'électrolyte, l'acide doit TOUJOURS être ajouté à l'eau et non l'inverse. Les membres du personnel procédant à l'entretien des batteries doivent porter des vêtements de protection, tels que des verres protecteurs, des manches longues et des gants.

Exception : Le démontage et le remplacement des batteries ne nécessite pas l'utilisation de vêtements de protection.

Les installations électriques doivent être conformes au NFPA 70 (code national électrique américain) ainsi qu'aux règlements locaux.

Seules les personnes compétentes et habilitées sont autorisées à procéder au démontage et au chargement des batteries.

L'autolaveuse motorisée doit être en position adéquate et les freins doivent être actionnés avant toute tentative de remplacement ou de chargement des batteries.

Lors du chargement des batteries, le capuchon d'évacuation doit rester en place de façon à éviter toute projection d'électrolyte. Prendre soin de vérifier que les capuchons d'évacuation fonctionnent. Les caches (ou le compartiment) de batterie doivent être ouverts pour dissiper la chaleur et le gaz.

Il est interdit de fumer dans la zone dédiée au chargement de la batterie.

Les mesures nécessaires doivent être prises pour éviter les flammes vives, les étincelles et les arcs électriques dans les zones de chargement des batteries.

Ne jamais poser des outils ou autres objets mécaniques sur des batteries ouvertes.

L'autolaveuse motorisée ne doit pas être utilisée dans les zones classées.


 Lire ce manuel d'utilisation original avant la première utilisation de votre appareil, le respecter et le conserver pour une utilisation ultérieure ou pour le futur propriétaire.

Table des matières

Consignes de sécurité	FR . .	6
Fonction	FR . .	6
Utilisation conforme	FR . .	6
Protection de l'environnement	FR . .	6
Éléments de commande	FR . .	7
Avant la mise en service	FR . .	8
Fonctionnement	FR . .	10
Intelligent Key grise	FR . .	12
Transport	FR . .	13
Entreposage	FR . .	13
Entretien et maintenance	FR . .	13
Assistance en cas de panne	FR . .	16
Caractéristiques techniques	FR . .	18
Accessoires et pièces de rechange	FR . .	19
Garantie	FR . .	19

Consignes de sécurité

Lire la présente notice d'instructions ainsi que la brochure ci-jointe "Consignes de sécurité pour les auto-laveuses à brosses et les injecteurs-extracteurs" n° 5.956-251 avant d'utiliser l'appareil pour la première fois et respecter les instructions.

L'appareil n'est autorisé au fonctionnement que sur des surfaces ayant la pente maximale indiquée dans la section « Données techniques ».

Dispositifs de sécurité

Les dispositifs de sécurité ont pour but de protéger l'utilisateur et ils ne doivent donc jamais être désactivés ni évités.

Coupe-circuit



Pour une mise hors service immédiate de toutes les fonctions : Mettre le commutateur de sécurité en position '0'.

- En cas de désactivation du couper, éteindre, mettre hors circuit, désactiver, l'appareil freine brusquement.
- La touche d'arrêt d'urgence désactive immédiatement toutes les fonctions de l'appareil.

Contacteur de siège

Met le moteur de traction hors service après une brève temporisation quand l'exploitant quitte le siège pendant le fonctionnement de travail ou en circulation.

Des symboles sur l'appareil

	PRÉCAUTION <i>Risque de blessure causée par l'écrasement. Éloigner les mains de cette zone lors de l'abaissement du bac d'eau sale.</i>
	△ DANGER Fort risque d'accident en raison d'une vitesse élevée. Conduire lentement sur des pentes.

Niveaux de danger

△ DANGER

Pour un danger immédiat qui peut avoir pour conséquence la mort ou des blessures corporelles graves.

△ AVERTISSEMENT

Pour une situation potentiellement dangereuse qui peut avoir pour conséquence des blessures corporelles graves ou la mort.

PRÉCAUTION

Remarque relative à une situation potentiellement dangereuse pouvant entraîner des blessures légères.

ATTENTION

Remarque relative à une situation éventuellement dangereuse pouvant entraîner des dommages matériels.

Fonction

L'aspirateur à abrasion sert au nettoyage humide ou au polissage de sols plans.

Il est facile d'adapter l'appareil à la tâche de nettoyage à accomplir en réglant la quantité d'eau, la pression des brosses, la quantité de détergent ainsi que la vitesse de transport.

Utilisation conforme

L'utilisation de l'appareil doit être faite en conformité avec les consignes figurant dans les instructions de service.

- L'appareil doit uniquement être utilisé pour nettoyer des surfaces planes non sensibles à l'humidité ni au polissage.
- Cet appareil est destiné à une utilisation dans les locaux intérieurs.
- La plage de température pour l'utilisation est de +5°C à +40°C.
- L'appareil n'est pas approprié pour nettoyer des sols gelés (par exemple dans des entrepôts frigorifiques)
- L'appareil convient à une hauteur d'eau maximum de 1 cm. Ne pas

rouler dans une zone dans laquelle la hauteur d'eau maximum risque d'être dépassée.

- L'appareil doit uniquement être équipé d'accessoires et de pièces de rechange d'origine.
- L'appareil n'est pas destiné au nettoyage de voies publiques.
- L'appareil ne peut être utilisé sur des sols qui sont sensibles à la pression. Tenir compte de la sollicitation concentrée admissible du sol. La charge concentrée par l'appareil est indiquée dans les données techniques.

- L'appareil n'est pas approprié pour l'application dans des environnements à risque d'explosion.

- Ne pas aspirer avec l'appareil des gazes combustibles, acides ou solvants non dilués.

Ces-ci sont essence, dilutif de couleurs ou fuel, qui peuvent former des mélanges explosifs en touillant avec l'air d'aspiration. Ne pas utiliser d'acétone, d'acides ou de solvants non dilués, du fait de leur effet corrosif sur les matériaux constituant l'appareil.

Protection de l'environnement



Les matériaux constitutifs de l'emballage sont recyclables. Ne pas jeter les emballages dans les ordures ménagères, mais les rendre à un système de recyclage.

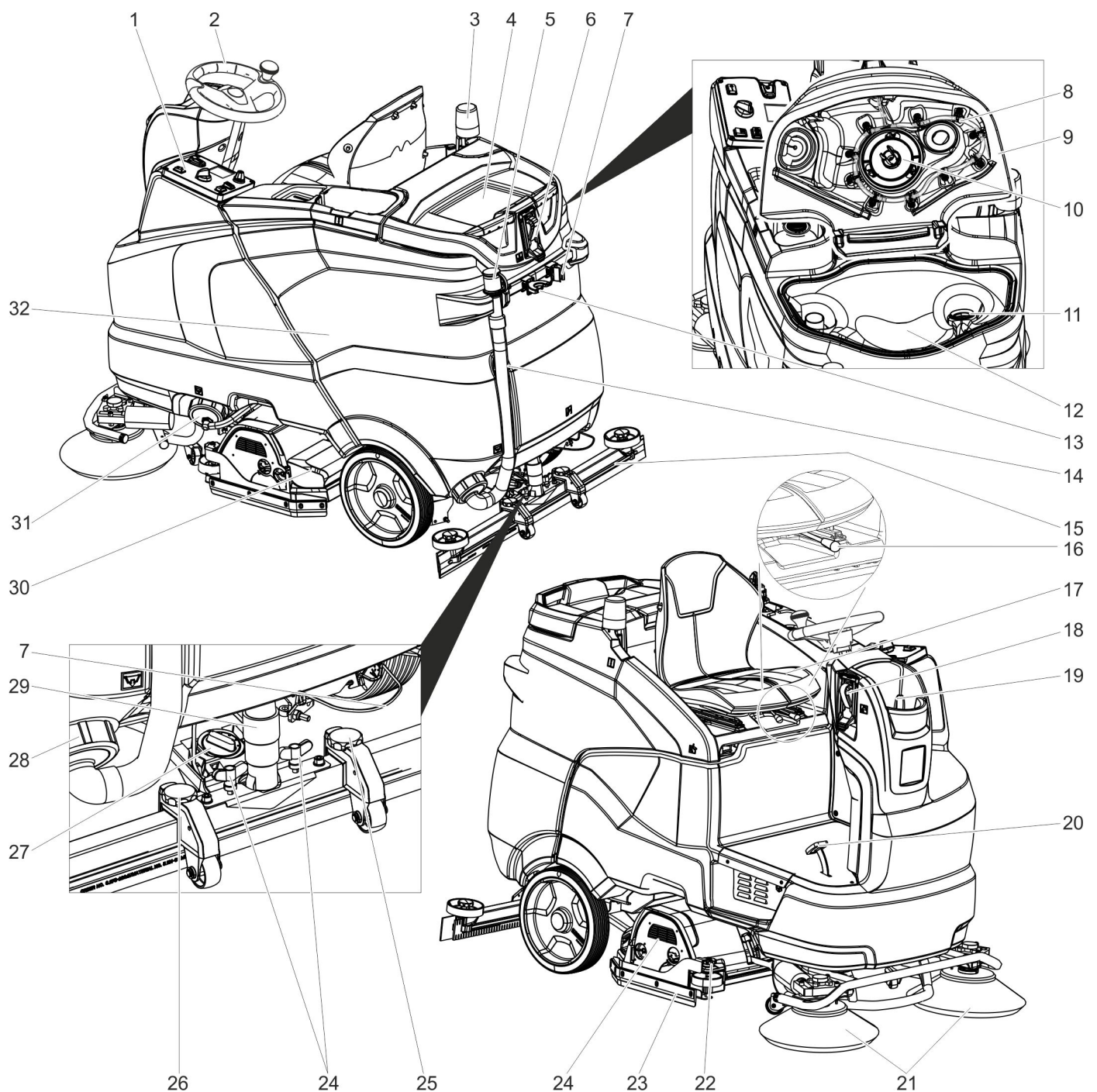


Les appareils usés contiennent des matériaux précieux recyclables lesquels doivent être rendus à un système de recyclage. Des batteries, de l'huile et d'autres substances semblables ne doivent pas être tout simplement jetées. Pour cette raison, utiliser des systèmes adéquats de collecte pour éliminer les appareils usés.

Instructions relatives aux ingrédients (REACH)

Les informations actuelles relatives aux ingrédients se trouvent sous : www.kaercher.com/REACH

Éléments de commande

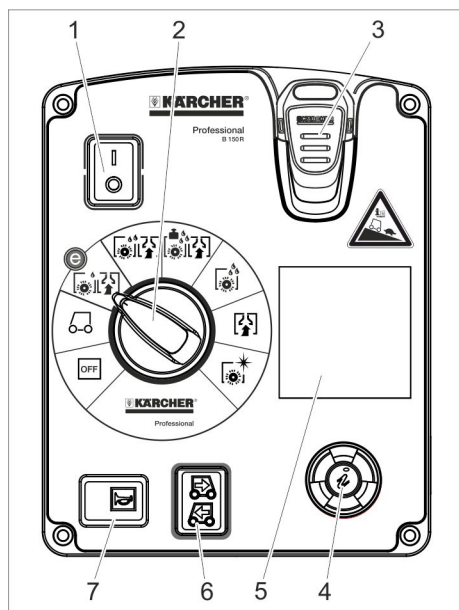


- | | | | | | |
|----|--|----|--|----|---|
| 1 | Pupitre de commande | 14 | Flexible de vidange pour eau sale | 27 | Poignée rotative pour incliner la barre d'aspiration |
| 2 | Volant | 15 | Barre d'aspiration * | 28 | Verrou, réservoir d'eau sale |
| 3 | feu de détresse ** | 16 | Levier de réglage du siège | 29 | Flexible d'aspiration |
| 4 | Surface de dépose pour le kit de nettoyage « Homebase Box » | 17 | Siège (avec contacteur de siège) | 30 | Bac à déchets (uniquement avec tête de nettoyage R) * |
| 5 | Dispositif de dosage pour l'eau sale | 18 | Système de remplissage ** | 31 | Fermeture du réservoir d'eau propre avec filtre pour eau du robinet |
| 6 | raccord d'alimentation en eau pour système de rinçage du bac d'eau sale ** | 19 | Couvercle réservoir d'eau fraîche | 32 | Batterie |
| 7 | support de mopp ** | 20 | Pédale de marche | | |
| 8 | système de rinçage du bac d'eau sale ** | 21 | balai latéral (uniquement variante SB) | | |
| 9 | Couvercle du réservoir d'eau sale | 22 | Roue de réglage lèvre d'enlèvement | | |
| 10 | Flotteur | 23 | Lèvre d'enlèvement | | |
| 11 | Crible à peluches | 24 | Tête de nettoyage * | | |
| 12 | Réservoir d'eau sale | 25 | Réglage en hauteur des suceurs | | |
| 13 | Porte-outil ** | | | | |
| | | 26 | Ecrous-papillon pour fixer la barre d'aspiration | | |

* pas comprise dans l'étendue de livraison

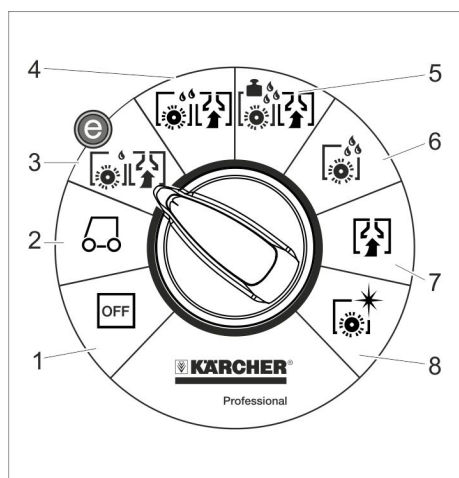
** Option

Pupitre de commande



- 1 Coupe-circuit
- 2 Commutateur de programmes
- 3 Intelligent Key
- 4 Bouton Info
- 5 Ecran
- 6 Commutateur de sens de déplacement
- 7 Avertisseur sonore

Commutateur de programmes



- 1 **OFF**
Appareil hors circuit.
- 2 Déplacement de transport
Déplacer l'appareil vers le lieu d'utilisation.
- 3 **Programme Eco**
Nettoyage humide du sol (avec vitesse de brosse réduite) et aspiration d'eau sale (avec puissance d'aspiration réduite).
- 4 **Aspiration de récurage**
Nettoyage humide du sol et aspiration de l'eau sale.

5 Programme Heavy

Nettoyage humide du sol et aspiration de l'eau sale (avec une pression d'appui des brosses plus élevée).

6 Frotter

Nettoyage humide du sol et laisser agir le détergent.

7 Aspiration

Aspirer la saleté.

8 Polissage

Polir le sol sans appliquer de liquide.

Des symboles sur l'appareil

	Poignée pour basculer vers le haut le bac d'eau sale
	Point d'arrimage
	support de mopp **
	Raccord d'alimentation en eau du système de remplissage **
	raccord d'alimentation en eau pour système de rinçage du bac d'eau sale **
	Ouverture de vidange du réservoir d'eau propre
	Ouverture de vidange du bac d'eau sale

** Option

Avant la mise en service

Batteries

	Respecter les consignes situées sur la batterie, dans les instructions de service et dans le mode d'emploi du véhicule
	Porter des lunettes de protection
	Tenir les enfants à l'écart des acides et des batteries
	Risque d'explosion

	Toute flamme, matière incandescente, étincelle ou cigarette est interdite à proximité de la batterie.
	Risque de brûlure
	Premiers soins
	Attention
	Mise au rebut
	Ne pas mettre la batterie au rebut dans le vide-ordures

⚠ DANGER

Risque d'explosion !

Ne pas poser d'outils ou d'objets similaires sur la batterie. Risque de court-circuit et d'explosion. Risque de blessure. Ne jamais mettre en contact des plaies avec le plomb. Prendre soin de toujours se laver les mains après avoir manipulé la batterie.

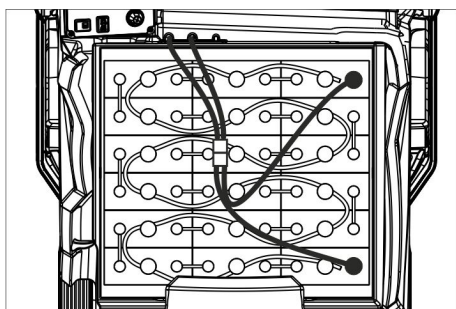
Batteries recommandées

	N° de réf.	Volume [m ³]*	flux d'air [m ³ /h]**
Jeu de batteries 240Ah, cuve, peu de maintenance	4.035-987.7	27	10.8
Jeu de batteries 180Ah, cuve, peu de maintenance	4.035-988.7	20.25	8.1
Jeu de batteries 240Ah, 6 blocs, sans entretien	4.654-306.7	6,975	2.79
Jeu de batteries 180Ah, 6 blocs, sans entretien	4.654-307.7	5,175	2.07

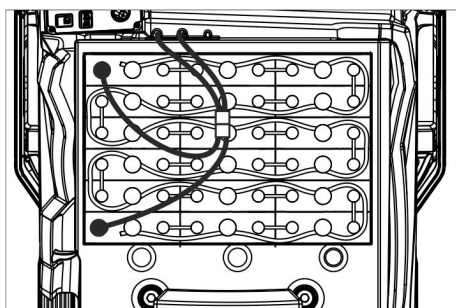
* Volume minimal de la station de charge pour batteries
 ** flux minimal d'air entre la station de charge pour batteries et l'environnement

Montage et branchement des batteries

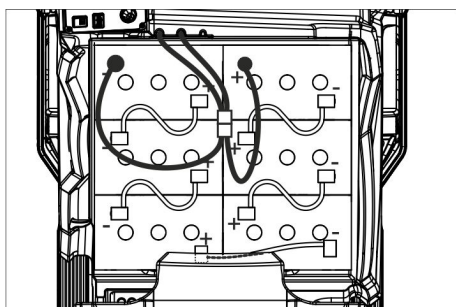
- Mettre le commutateur de sécurité en position '0'.
- Pivoter le réservoir d'eau sale vers l'arrière.



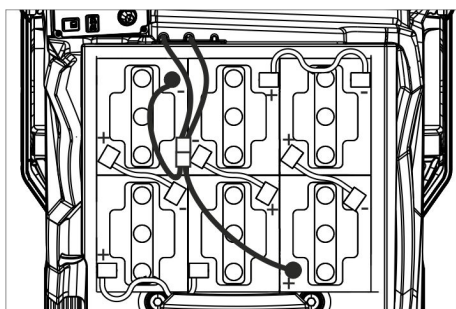
4.035-987.7



4.035-988.7



4.654-306.7 (disposition A)



4.654-307.7 (disposition A)

ATTENTION

Risque d'endommagement. Veiller à respecter les polarités.

- Graisser les bornes de batterie avec graisse de borne.
- Connecter les bornes avec le câble de raccordement ci-joint.
- Brancher le câble de raccordement ci-joint aux bornes de batterie encore libres (+) et (-).
- Brancher la fiche de batterie.

ATTENTION

Risque d'endommagement à la suite d'un déchargement intégral. Charger

les batteries avant de mettre l'appareil en service.

Charger les batteries

REMARQUE

L'appareil dispose d'une protection anti-décharge complète, c'est-à-dire qu'il développe encore la puissance minimale autorisée de sorte que l'appareil puisse être uniquement déplacé. À l'écran apparaît l'affichage « Batterie faible - Nettoyage impossible » et « Batterie vide - Veuillez la charger ».

- Amener immédiatement l'appareil à la station de charge en évitant les pentes.

REMARQUE

En cas d'utilisation d'une autre batterie (ex. : d'un autre fabricant), le dispositif de protection anti-décharge complète doit être de nouveau réglé par le service après-vente Kärcher et ce, pour chaque batterie.

⚠ DANGER

Risque d'électrocution. Tenir compte du réseau de conduction de courant et de la protection par fusibles - voir "Chargeur". Utiliser le chargeur seulement dans des pièces sèches et suffisamment aérée !

REMARQUE

Le temps de charge s'élève en moyenne à environ 10-12 heures. Les chargeurs recommandés (adaptables à toutes les batteries) disposent d'une réglage électronique et mettent fin automatiquement à la procédure de charge.

⚠ DANGER

Risque d'explosion. La pièce dans laquelle l'appareil est garé pour que ses batteries soient chargées doit avoir un volume minimal qui est fonction du type de batterie et un renouvellement d'air avec un flux minimal d'air (cf. « Batteries recommandées »).

Risque d'explosion. Le chargement des batteries humides est seulement permis avec réservoir d'eau sale basculé vers le haut.

- Basculer le bac d'eau sale vers le haut.
- Séparer les connecteurs de batterie et raccorder le câble de charge du chargeur.
- Brancher la fiche secteur du chargeur.
- Lancer le processus de chargement conformément au mode d'emploi séparé du chargeur de batterie.

Batteries pour service à maintenance réduite (batteries humides)

- Ajouter de l'eau distillée une heure avant la fin de la procédure de charge. Respecter le niveau d'acidité approprié. Les mentions correspondantes figurent sur la batterie. A la fin du processus de chargement, toutes les cellules doivent être en formation de gaz.

⚠ DANGER

Risque de brûlure. L'appoint d'eau dans une batterie déchargée pouvant provoquer des fuites d'électrolyte, porter impérativement des lunettes de protection en manipulant l'acide de batteries et respecter les consignes afin d'éviter toute blessures et toute destruction de vêtements. Rincer immédiatement et à l'eau abondante l'électrolyte ayant giclé sur la peau ou les vêtements.

ATTENTION

Pour remplir la batterie, utiliser uniquement de l'eau distillée ou dessalée (EN 50272-T3).

N'employer aucun additif (produit dit d'amélioration) sous peine d'annulation de toute garantie.

Dimensions maximales de la batterie

Disposition	A	B
Longueur	244 mm	312 mm
Largeur	190 mm	182 mm
Hauteur	275 mm	365mm

Remarque relative au premier chargement

Lors du premier chargement, la commande ne détecte pas encore le type de batterie installé. Chargez les batteries jusqu'à ce que l'affichage Chargement terminé apparaisse (il se peut que les batteries ne soient pour autant pas totalement chargées). Lors du chargement suivant, l'affichage et le courant de chargement sont alors exacts et les batteries entièrement chargées.

Remarque :

Un « V » à côté de la barre de l'affichage de la batterie indique que le premier chargement n'est pas encore effectué.

Utiliser l'appareil après le premier chargement des batteries jusqu'à ce que le dispositif anti-décharge totale arrête le moteur de brosse et la turbine. Ce processus est nécessaire pour ajuster l'affichage de la batterie. Ce n'est qu'ensuite que le niveau de la batterie correct sera affiché.

Démonter les batteries

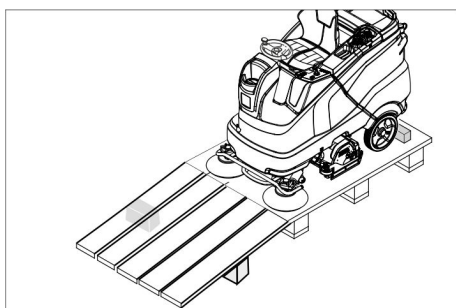
- Mettre le commutateur de sécurité en position '0'.
- Pivoter le réservoir d'eau sale vers l'arrière.
- Débrancher le câble du pôle moins de la batterie.
- Déconnecter les câbles restants de la batterie
- Sortir les batteries.
- Eliminer les batteries dans le respect des dispositions en vigueur.

Déchargement de la machine

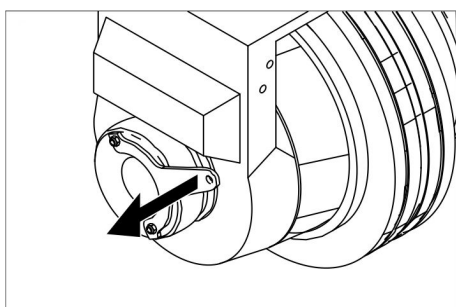
REMARQUE

Pour une mise hors service immédiate de toutes les fonctions, mettre le commutateur de sécurité en position "0".

- Quatre planches de fond de la palette sont vissées. Dévisser ces planches.



- Poser les planches sur le bord de la palette. Orienter les planches de manière à ce qu'elles reposent en amont des roues de l'appareil. Fixer les planches à l'aide des vis.
- Pousser les barre de soutien contenue dans l'emballage sous la rampe.
- Retirer les listeaux en bois figurant devant les roues.



- Tirer le levier de frein et faire descendre l'appareil de la rampe avec le levier tiré.

ou

- Insérer l'Intelligent Key.
- Mettre le commutateur de sécurité en position '1'.
- Régler l'interrupteur de programme sur marche transport.
- Mettre le commutateur de sens de marche sur "Avant".

- Actionner l'accélérateur.
- Faire descendre l'appareil de la palette.
- Mettre le commutateur de sécurité en position '0'.

Monter une tête de nettoyage

Le montage de la tête de nettoyage est décrit dans le chapitre "Travaux d'entretien".

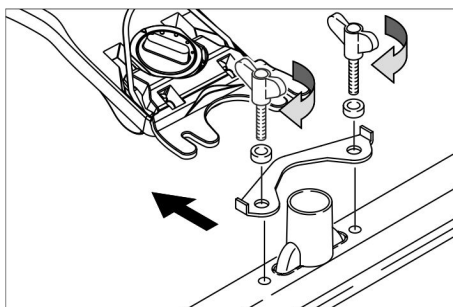
REMARQUE

La tête de nettoyage est déjà montée sur certaines modèles.

Montage des brosses

Le montage des brosses est décrit dans le chapitre "Travaux d'entretien".

Montage de la barre d'aspiration



- Poser les barres d'aspiration dans la suspension de la barre d'aspiration que la tôle profilée se trouve au-dessous de la suspension.
- Serrer à fond les écrous-papillons.
- Emmancher le flexible d'aspiration.

Fonctionnement

⚠ DANGER

Risque de blessure. Ne pas utiliser l'appareil sans toit protecteur contre la chute d'objets dans les endroits où il est possible que l'utilisateur risque d'être atteint par des objets chutant.

REMARQUE

Pour une mise hors service immédiate de toutes les fonctions, mettre le commutateur de sécurité en position "0".

Réglage du siège du conducteur

- Activer le levier de réglage du siège et pousser le siège dans la position souhaitée.
- Relâcher le levier de réglage du siège et enclencher le siège.

Mettre l'appareil en marche

- Régler la position du siège.
- Insérer l'Intelligent Key.
- Mettre le commutateur de sécurité en position '1'.
- Tourner le sélecteur de programme sur la fonction souhaitée.

Contrôler le frein d'immobilisation

⚠ DANGER

Risque d'accident. Avant toute mise en service, il convient de vérifier le fonctionnement du frein d'immobilisation sur une surface plane.

- Mettre l'appareil sous tension.
- Mettre le commutateur de sens de marche sur "Avant".
- Régler l'interrupteur de programme sur marche transport.
- Appuyer légèrement sur la pédale d'accélérateur.
- Le frein doit se déverrouiller de manière audible. Sur une surface plane, l'appareil doit avancer légèrement. Lorsque la pédale est relâchée, le frein se déclenche de manière audible. Dans le cas contraire, mettre l'appareil hors service et contacter le service après-vente.

Déplacement

⚠ DANGER

Risque d'accident. Si l'appareil ne développe plus aucun effet de freinage, procéder comme suit :

- Pour des raisons de sécurité, si l'appareil ne s'immobilise pas sur une rampe dont l'inclinaison est supérieur à 2 % lorsque la pédale d'accélérateur est relâchée, mettre le commutateur de sécurité en position "0" que si le fonctionnement mécanique du frein de stationnement à préalablement été vérifié et déclaré opérationnel à chaque mise en service de l'appareil.
- Lorsque l'appareil est à l'arrêt (sur une surface plane), le mettre hors service et contacter le service après-vente !
- De plus, respecter les consignes d'entretien relatives aux freins.

⚠ DANGER

Risque de basculement en cas de pente trop forte.

- Conduire dans le sens de la marche uniquement sur des pentes jusqu'à 10 % (Adv 15 %).
- Prendre des pentes et des surfaces inclinées uniquement dans le sens de la longueur ; ne pas tourner.

Risque de basculement en cas de conduite rapide dans les virages. Chaussée glissante en cas de sol humide.

- Roulez lentement dans les virages. Risque de basculement en cas de sol instable.

→ N'utilisez la machine que sur des sols stabilisés.

Risque de basculement en cas de pente latérale trop importante.

Déplacement

- Régler la position du siège.
- Insérer l'Intelligent Key.
- Mettre le commutateur de sécurité en position '1'.
- Régler l'interrupteur de programme sur marche transport.
- Régler la sens de circulation avec l'interrupteur de la sens de circulation à la pupitre de commande.
- Déterminer la vitesse de marche en actionnant la pédale de marche.
- Immobiliser la machine: Lâcher la pédale de marche.

REMARQUE

La sens de circulation peut être modifiée aussi pendant la circulation. En avançant et reculant il est aussi possible de polir aussi des endroits très ternes.

Surcharge

En cas de surcharge, le moteur de traction est désactivé après une durée définie. Un message signalant un défaut s'affiche à l'écran. En cas de surchauffe du système de commande, le module concerné est désactivé.

- Laisser refroidir l'appareil au moins 15 minutes.
- Tourner le sélecteur de programme sur "0", attendre brièvement puis le positionner de nouveau sur le programme souhaité.

Remplissage de carburant

Produit détergent

ATTENTION

Risque d'endommagement. Utiliser uniquement les détergents recommandés. Pour tout autre détergent, l'utilisateur prend des risques plus élevés quant à la sécurité du travail et au risque d'accident.

N'utiliser que des détergents exempts de solvants, d'acide chlorhydrique et d'acide fluohydrique.

Respecter les consignes de sécurité figurant sur les détergents.

Remarque

Ne jamais utiliser de détergents extrêmement moussants.

Détergents recommandés :

Application	Produit détergent
Nettoyage d'entretien de tous les sols résistants à l'eau	RM 746 RM 780
Nettoyage d'entretien de surfaces brillantes (par exemple du granite)	RM 755 es
Nettoyage d'entretien et nettoyage minutieux de sols dans le secteur industriel	RM 69 ASF
Nettoyage d'entretien et nettoyage minutieux de carrelages en grès cérame fin	RM 753
Nettoyage d'entretien de carrelages dans le secteur sanitaire	RM 751
Nettoyage et désinfection dans le secteur sanitaire	RM 732
Enlèvement d'une couche sur tous les sols résistants aux alcalis (par exemple PVC)	RM 752
Enlèvement d'une couche sur des sols en linoléum	RM 754

Eau propre

- Ouvrir le couvercle du réservoir d'eau propre.
- Remplir eau propre (60 °C au maximum) jusqu'à 15 mm au-dessus du limite supérieur du réservoir.
- Remplir détergent.

REMARQUE

Mettre en premier du détergent puis de l'eau dans le réservoir de détergent peut provoquer une forte formation de mousse.

- Fermer le couvercle du réservoir d'eau propre.

REMARQUE

Avant la première mise en service, remplir complètement le réservoir d'eau propre, pour purger la canalisation d'eau.

Système de remplissage (option).

- Raccorder le flexible sur la tubulure de raccordement du système de remplissage.
- Ouvrir l'alimentation d'eau.
Si le niveau de remplissage maximum est atteint, la valve à flotteur intégrée coupe l'arrivée d'eau.
- Couper l'alimentation en eau.
- Enlever le flexible d'eau.

Réglage des paramètres

Avec Intelligent Key jaune

Les paramètres pour les divers programmes de nettoyage sont préréglés dans l'appareil.

En fonction de l'autorisation de l'Intelligent Key jaune, des paramètres individuels peuvent être modifiés.

La modification des paramètres ne reste effichage que jusqu'à ce qu'un autre programme de nettoyage soit sélectionné à l'aide du sélecteur de programme.

Au cas où les paramètres devraient être modifiés définitivement, une Intelligent Key grise doit être utilisée pour le paramétrage. Le paramétrage est décrit au chapitre « Intelligent Key grise ».

Remarque :

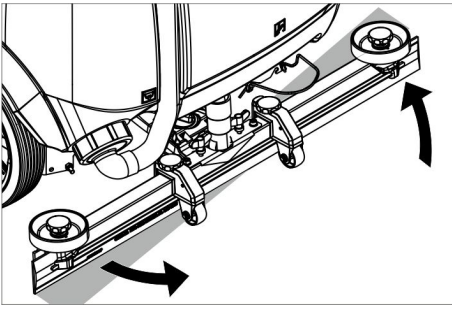
Presque tous les textes sur l'écran pour le réglage des paramètres sont auto-explicatifs. Le paramètre FACT constitue l'exception confirmant la règle :

- Fine Clean : Rotation faible de la brosse pour éliminer voilage sur grès cérame fin.
 - Whisper Clean : Rotation moyenne de la brosse pour le nettoyage d'entretien avec un niveau sonore réduit.
 - Power Clean : Rotation élevée de la brosse pour polir, cristalliser et balayer.
- Tourner le sélecteur de programme sur le programme de nettoyage souhaité.
 - Tourner le bouton Info, jusqu'à ce que le paramètre voulu soit affiché.
 - Appuyer sur le bouton Info - la valeur réglée clignote.
 - Régler la valeur voulue en tournant le bouton Info.
 - Confirmer les modifications en appuyant sur le bouton Info ou attendre 10 secondes afin que la valeur paramétrée soit appliquée automatiquement.

Réglage de la barre d'aspiration

Position inclinée

Pour améliorer le résultat de l'aspiration sur des revêtements carrelés, il est possible de tourner la barre d'aspiration jusqu'à une position inclinée de 5°.



- Desserrer les écrous-papillons.
- Tourner la barre d'aspiration.
- Serrer à fond les écrous-papillons.

Inclinaison

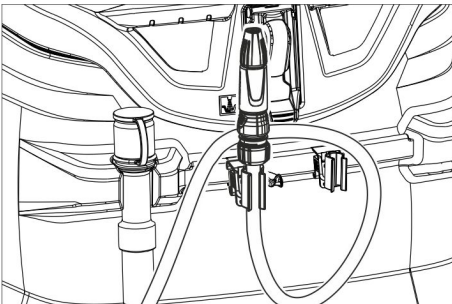
Si le résultat de l'aspiration n'est pas suffisant, il est possible de modifier le degré d'inclinaison de la barre d'aspiration.

- Poignée rotative pour incliner la barre d'aspiration.

Régler les lèvres de raclage

- Régler les lèvres d'enlèvement en tournant la roue de réglage de telle manière que la lèvre d'enlèvement touche le sol.
- Tourner la roue de réglage encore une rotation vers le bas en plus.

gicleurs (option)



Le flexible avec gicleur est amené à l'arrière de l'appareil. Il sert à rincer les salissures et à faire un nettoyage manuel du bac d'eau sale.

- Tourner le sélecteur de programme sur la position "Marche de transport".
- Appuyer sur le bouton Info.
- Tourner le bouton d'info jusqu'à ce que "Rinçage du réservoir" soit affiché à l'écran.
- Appuyer sur le bouton Info.
- Tourner le bouton Info jusqu'à ce que la fonction "ON" s'affiche.
- Appuyer sur le bouton Info.
La pompe à eau amène l'eau du robinet par le gicleur.

Vidange du réservoir d'eau sale

REMARQUE

Débordement du bac d'eau sale.
Lorsque le bac d'eau sale est plein, la turbine d'aspiration s'arrête et le mes-

sage "Réservoir d'eau sale plein" apparaît à l'écran.

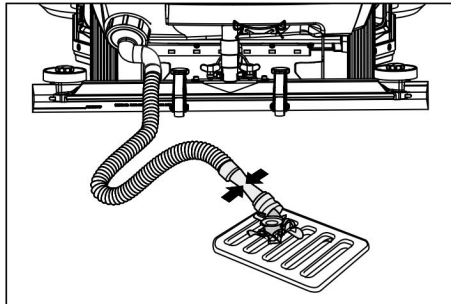
⚠ AVERTISSEMENT

Tenir compte des prescriptions locales pour le traitement des eaux usées.

- Sortir le flexible de vidange pour l'eau sale du dispositif de maintien et l'abaisser au-dessus d'un collecteur approprié.

REMARQUE

En comprimant le dispositif de dosage, le flux d'eaux usées peut être contrôlé.



- Vider l'eau en ouvrant le dispositif de dosage sur le flexible de vidange.
- Puis rincer le réservoir d'eau sale à l'eau propre.

Vidange du réservoir d'eau propre

- Ouvrir le verrouillage du réservoir d'eau propre.
- Faire couler l'eau du robinet.
- Amener la fermeture du réservoir d'eau propre.

Vider le bac à déchets (uniquement avec tête de nettoyage R)

- Contrôler le bac à déchets. Retirer et vider le bac à déchets si nécessaire ou après la fin du travail.

Mise hors service

- Retirer l'Intelligent Key.
- Sécuriser le véhicule à l'aide de cales afin qu'il ne puisse rouler.
- En cas échéant, recharger la batterie.

Intelligent Key grise

- Insérer l'Intelligent Key.
- Sélectionner la fonction voulue en tournant le bouton Info.

Chacune des fonctions est décrite par la suite.

Déplacement de transport

- Tourner le sélecteur de programme sur la position "Marche de transport".
- Appuyer sur le bouton Info.

Dans le menu Marche de transport, les réglages suivants peuvent être effectués :

Gestion des codes

Dans ce point de menu, les autorisations sont délivrées pour l'Intelligent Key jaune, et la langue d'affichage peut être affichée.

- Tourner le bouton info jusqu'à ce que « menu clé » soit affiché à l'écran.
- Appuyer sur le bouton Info.
- Retirer l'Intelligent Key grise et insérer l'Intelligent Key jaune à programmer.
- Sélectionner le point de menu à modifier en tournant le bouton Info.
- Appuyer sur le bouton Info.
- Sélectionner le réglage du point de menu en tournant le bouton Info.
- Confirmer le réglage en appuyant sur le point du menu.
- Sélectionner le point de menu suivant à modifier en tournant le bouton Info.
- Pour enregistrer les autorisations, appeler le menu « Enregistrer ? » en tournant le bouton Info et en appuyant sur le bouton Info.
- « Poursuivre le menu clé » :
Yes : Programmer l'autre Intelligent Key.
No : Quitter le menu clé.
- Appuyer sur le bouton Info.

Sélectionner le type de brosse

Cette fonction est requise lors du changement de la tête de nettoyage.

- Tourner le bouton Info jusqu'à ce que « Sabot » soit affiché à l'écran.
 - Appuyer sur le bouton Info.
 - Tourner le bouton Info jusqu'à ce que le type de brosse souhaité soit indiqué.
 - Appuyer sur le bouton Info.
 - Bouger le mécanisme de levage pour changer la tête de nettoyage en tournant le bouton info :
up : Lever
down : Abaissement
OFF : Arrêter
 - Quitter le menu : Sélectionner « OFF » en tournant le bouton info et appuyer sur le bouton info.
- La commande effectuée un redémarrage lorsque vous quittez le menu.

Durées de marche par inertie

- Tourner le bouton Info jusqu'à ce que « Temporisations » soit affiché à l'écran.
- Appuyer sur le bouton Info.
- Tourner le bouton Info jusqu'à ce que le module souhaité soit indiqué.
- Appuyer sur le bouton Info.

→ Tourner le bouton Info jusqu'à ce que la temporisation souhaitée soit atteinte.

→ Appuyer sur le bouton Info.

Régler le type batterie.

→ Tourner le bouton info jusqu'à ce que « menu batterie » soit affiché.

→ Appuyer sur le bouton Info.

→ Tourner le bouton info jusqu'à ce que le type batterie souhaité soit indiqué.

→ Appuyer sur le bouton Info.

Réglage de base

Les modifications effectuées au paramétrage des programmes de nettoyage individuels lors du fonctionnement sont réinitialisés après la désactivation de l'appareil sur la position de base.

→ Tourner le bouton info jusqu'à ce que « réglage de base » soit affiché.

→ Appuyer sur le bouton Info.

→ Tourner le bouton info jusqu'à ce que le programme de nettoyage souhaité soit affiché.

→ Appuyer sur le bouton Info.

→ Tourner le bouton Info, jusqu'à ce que le paramètre voulu soit affiché.

→ Appuyer sur le bouton Info - la valeur réglée clignote.

→ Régler la valeur voulue en tournant le bouton Info.

→ Appuyer sur le bouton Info.

Régler la langue

→ Tourner le bouton info jusqu'à ce que « langue » soit affiché.

→ Appuyer sur le bouton Info.

→ Tourner le bouton info jusqu'à ce que la langue souhaitée soit indiquée.

→ Appuyer sur le bouton Info.

Paramètre par défaut

Tous les paramètres par défaut sont rétablis.

Programmes de nettoyage

Les paramètres réglés à l'aide de l'Intelligent Key gris restent inchangés, jusqu'à ce qu'un autre réglage soit sélectionné.

→ Tourner le sélecteur de programme sur le programme de nettoyage souhaité.

→ Appuyer sur le bouton Info – le premier paramètre réglable est affiché.

→ Appuyer sur le bouton Info - la valeur réglée clignote.

→ Régler la valeur voulue en tournant le bouton Info.

→ Confirmer les modifications en appuyant sur le bouton Info ou at-

tendre 10 secondes afin que la valeur paramétrée soit appliquée automatiquement.

→ Sélectionner le paramètre suivant en tournant le bouton Info.

→ Après la modification de tous les paramètres voulus, tourner le bouton Info jusqu'à l'affichage de « Quitter menu ».

→ Appuyer sur le bouton Info pour quitter le menu.

Transport

⚠ DANGER

Risque de blessure ! L'appareil ne doit être utilisé que sur des pentes jusqu'à 10 % (Adv 15 %) pour le chargement et le déchargement. Rouler lentement.

PRÉCAUTION

Risque de blessure et d'endommagement ! Respecter le poids de l'appareil lors du transport.

→ Sécuriser l'appareil contre les glissements ou les basculements selon les directives en vigueur lors du transport dans des véhicules.

Avec la tête de nettoyage D montée

→ Eliminer les disques-brosses dans la tête à brosse.

Entreposage

PRÉCAUTION

Risque de blessure et d'endommagement ! Prendre en compte le poids de l'appareil à l'entreposage.

→ Cet appareil doit uniquement être entreposé en intérieur.

→ Choisir l'emplacement en tenant compte du poids total de l'appareil, afin de ne pas porter préjudice à la stabilité.

Entretien et maintenance

⚠ DANGER

Risque de blessure ! Avant d'effectuer toute opération sur l'appareil, retirer l'Intelligent Key et débrancher la fiche secteur du chargeur.

Retirer le connecteur de batterie.

→ Vider et éliminer l'eau sale et le reste d'eau propre.

⚠ PRÉCAUTION

Risque de blessure en raison du post-fonctionnement de la turbine d'aspiration.

La turbine d'aspiration continue de tourner par inertie après la mise hors service. Procéder aux travaux d'entretien uniquement après arrêt total de la turbine d'aspiration.

Plan de maintenance

Après le travail

ATTENTION

Risque d'endommagement. Ne pas laver l'appareil au jet d'eau et ne jamais utiliser de détergents agressifs.

→ Vider l'eau sale.

→ Nettoyer le filtre de protection de la turbine.

→ Uniquement tête de nettoyage R : Retirer et vider le réservoir de salissure grossière.

→ Nettoyer l'extérieur de l'appareil avec un chiffon humide et imbibé de détergent doux.

→ Nettoyer les lèvres d'aspiration et les lèvres d'enlèvement, puis contrôler leur degré d'usure et le cas échéant, les nettoyer.

→ Contrôler le degré d'usure des brosses et le cas échéant, les remplacer.

→ Recharger la batterie.

Mensuellement

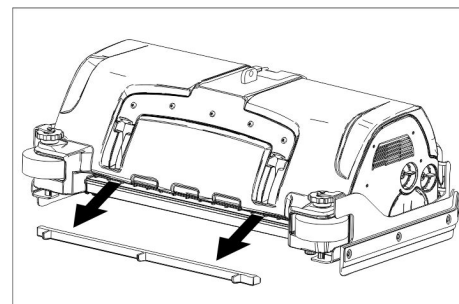
→ En cas d'un appareil temporairement mis hors de service: Effectuer la charge d'égalisation de la batterie.

→ Contrôler les bornes de la batterie, en cas de besoin brosser et graisser avec graisse de borne. Faire attention que les câbles de raccordement sont bien branchés.

→ Nettoyer les joints entre le réservoir d'eau sale et le couvercle et vérifier s'ils sont étanches, en cas de besoin remplacer.

→ Contrôler en cas de batteries avec maintenance la concentration de l'acide des cellules.

→ Nettoyer le tunnel des brosses (uniquement tête de nettoyage R)



→ Retirer la barre de répartition d'eau et nettoyer le canal d'eau (uniquement tête de nettoyage R).

Tous les ans

→ L'inspection prescrite doit être effectuée par le service après-vente.

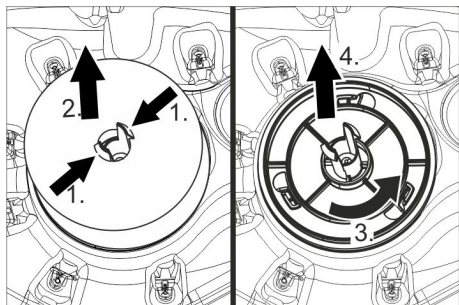
Travaux de maintenance

Contrat de maintenance

Afin de pouvoir garantir un fonctionnement fiable de l'appareil, il est possible de conclure des contrats de maintenance avec le bureau de ventes Kärcher responsable.

Nettoyer le filtre de protection de la turbine

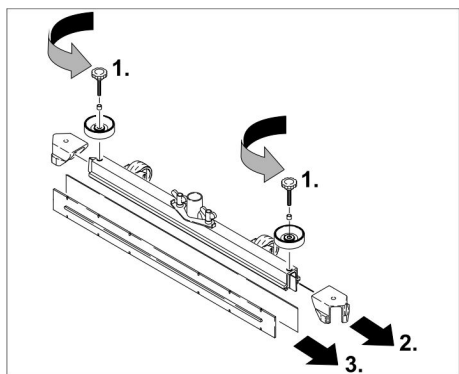
→ Ouvrir le couvercle du réservoir d'eau sale.



- Comprimer le crochet de verrouillage.
- Retirer le flotteur.
- Tourner le filtre de protection de la turbine dans le sens inverse des aiguilles d'une montre.
- Retirer le filtre de protection de la turbine.
- Enlever à l'eau les salissures du filtre de protection de la turbine.
- Remettre en place le filtre de protection de la turbine.
- Enfiler le flotteur.

Remplacer les lèvres d'aspiration

- Retirer la brosse d'aspiration.
- Dévisser le bouton cannelé.



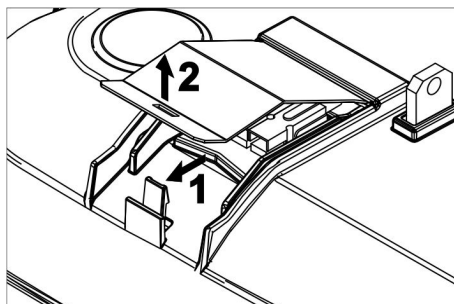
- Retirer les pièces plastiques.
- Retirer les lèvres d'aspiration.
- Mettre de nouvelles lèvres d'aspiration en place.
- Mettre en place des pièces plastiques.
- Visser et serrer les boutons cannelés.

Monter la tête de nettoyage D

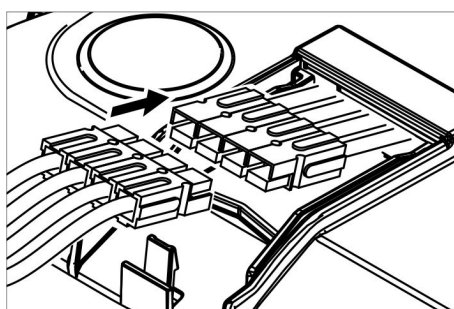
- Soulever le support de la tête de nettoyage (cf. Chapitre « Intelligent

Key grise/.../Sélectionner le type de brosse »).

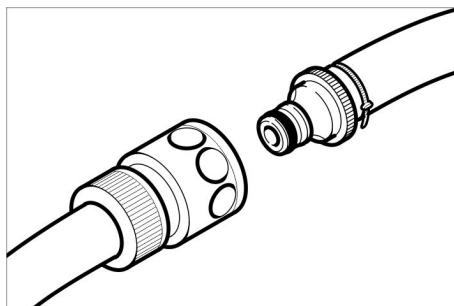
- Pousser la tête de nettoyage sous l'appareil de telle manière que le tuyau soit orienté vers le bas. Pousser la tête de nettoyage uniquement de la moitié sous l'appareil.



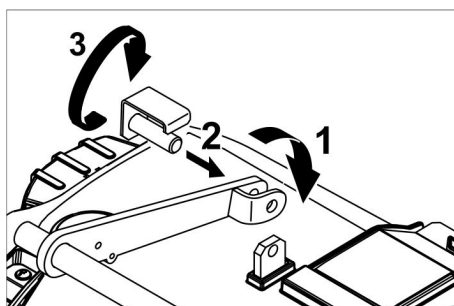
- Enlever le couvercle sur la tête de nettoyage.



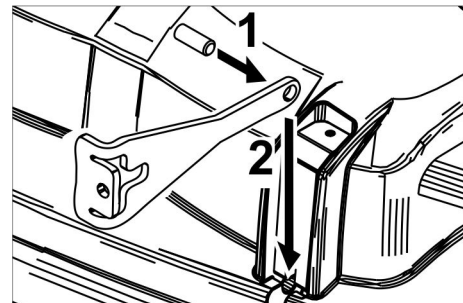
- Connecter le câble d'alimentation électrique de la tête de nettoyage avec l'appareil (les mêmes couleurs doivent être connectées les unes aux autres).
- Poser et enclencher le couvercle.
- Pousser la tête de nettoyage au centre sous l'appareil.



- Connecter l'accouplement de tuyau sur la tête de nettoyage avec le flexible sur l'appareil.



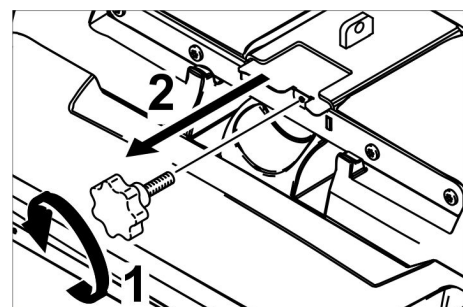
- Mettre la languette en place au centre de la tête de nettoyage entre les fourchettes dans le levier.
- Oriente le support de la tête de nettoyage de telle manière que les alésages dans le levier et la tête de nettoyage correspondent.
- Enfiler la goupille de maintien à travers les alésages et basculer la tôle de fixation vers le bas.



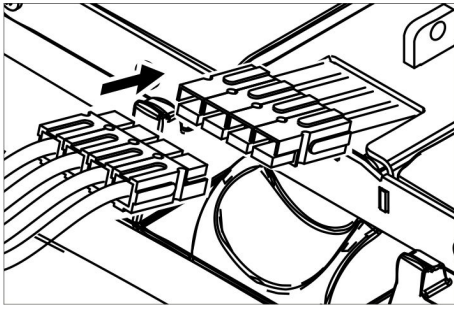
- Enfoncer la goupille cylindrique dans l'alésage de la barre de traction.
- Pousser la barre de traction avec la goupille dans la voie de guidage sur la tête de nettoyage tout en bas.
- Mettre la tôle de fixation en place dans la voie de guidage et l'enclencher.
- Renouveler le processus avec la barre de traction du côté opposé.
- Mettre en place l'Intelligent Key grise.
- Régler le type de brosse « Disk ».

Monter la tête de nettoyage R

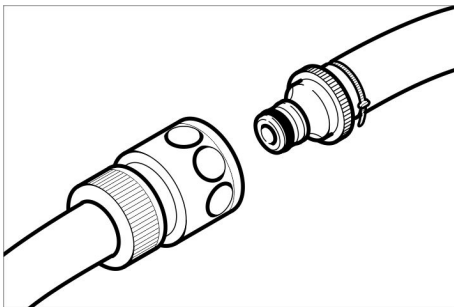
- Soulever le support de la tête de nettoyage (cf. Chapitre « Intelligent Key grise/.../Sélectionner le type de brosse »).
- Pousser la tête de nettoyage sous l'appareil de telle manière que le tuyau soit orienté vers le bas. Pousser la tête de nettoyage uniquement de la moitié sous l'appareil.



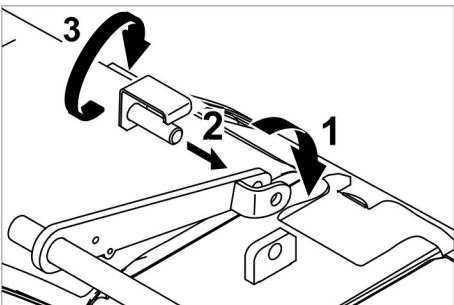
- Dévisser la poignée-étoile et retirer le couvercle.



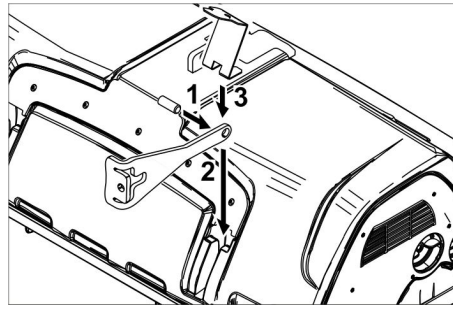
- Connecter le câble d'alimentation électrique de la tête de nettoyage avec l'appareil (les mêmes couleurs doivent être connectées les unes aux autres).
- Insérer le couvercle et le visser fermement.
- Pousser la tête de nettoyage au centre sous l'appareil.



- Connecter l'accouplement de tuyau sur la tête de nettoyage avec le flexible sur l'appareil.

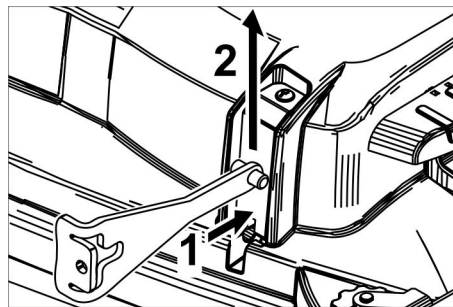


- Mettre la languette en place au centre de la tête de nettoyage entre les fourchettes dans le levier.
- Orienter le support de la tête de nettoyage de telle manière que les alésages dans le levier et la tête de nettoyage correspondent.
- Enficher la goupille de maintien à travers les alésages et basculer la tôle de fixation vers le bas.



- Enfoncer la goupille cylindrique dans l'alésage de la barre de traction.
- Pousser la barre de traction avec la goupille dans la voie de guidage sur la tête de nettoyage tout en bas et l'enclencher.
- Renouveler le processus avec la barre de traction du côté opposé.
- Mettre en place l'Intelligent Key grise.
- Régler le type de brosse « Brush ».

Démonter la tête de nettoyage D



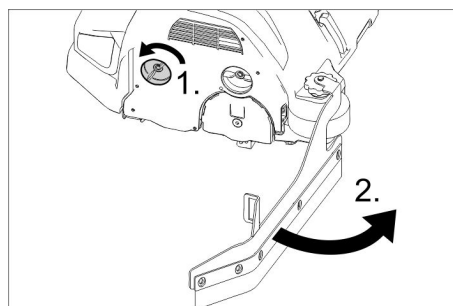
- Enfoncer la tôle de fixation et basculer la barre de traction vers le haut.
- La poursuite du démontage a lieu dans l'ordre inverse au montage.

Démonter la tête de nettoyage R

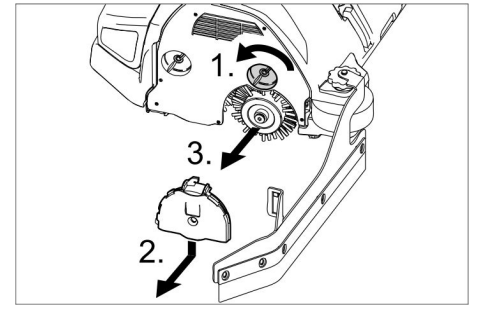
Le démontage a lieu dans l'ordre inverse au montage.

Remplacement des rouleaux-brosses

- Relever la tête de nettoyage.



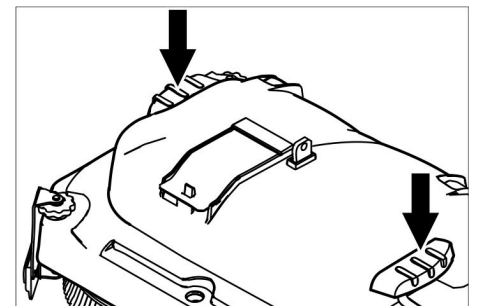
- Desserrer le verrouillage de la lèvres d'enlèvement.
- Eloigner la lèvres d'enlèvement.



- Desserrer le verrouillage du chapeau de palier.
- Pousser le chapeau de palier vers le bas et l'enlever.
- Retirer le rouleau-brosse.
- Mettre un nouveau rouleau-brosse en place.
- Refixer le chapeau de palier et la lèvres d'enlèvement dans l'ordre inverse.
- Répéter le procédure à la côté que se trouve en face.

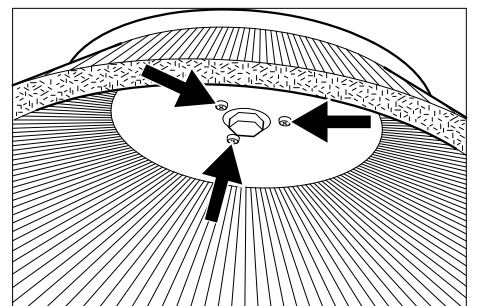
Remplacement des disques-brosses

- Relever la tête de nettoyage.



- Presser la pédale pour changer les brosses contre la résistance par le bas.
- Sortir le disque-brosse latéralement sous la tête de nettoyage.
- Maintenir le nouveau disque-brosse sous la tête de nettoyage, pousser vers le haut et enclencher.

Remplacer le balai latéral (uniquement variante SB)



- Dévisser 3 vis.
- Enlever le balai latéral.
- Pousser le nouveau balai latéral.
- Serrer les 3 vis.

Protection antigel

En cas de risque de gel :

- Vider le réservoir d'eau propre et le réservoir d'eau sale.
- Déposer l'appareil dans une pièce à l'abri du gel.

Assistance en cas de panne

⚠ DANGER

Risque de blessure ! Avant d'effectuer toute opération sur l'appareil, retirer l'Intelligent Key et débrancher la fiche secteur du chargeur.

Retirer le connecteur de batterie.

- Vider et éliminer l'eau sale et le reste d'eau propre.

PRÉCAUTION

Risque de blessure en raison du post-fonctionnement de la turbine d'aspiration.

La turbine d'aspiration continue de tourner par inertie après la mise hors service. Procéder aux travaux d'entretien uniquement après arrêt total de la turbine d'aspiration.

En cas de pannes ne pouvant pas être résolues grâce aux instructions de ce tableau, appeler le service après-vente.

Affichage des défauts

Si des erreurs sont affichées dans l'écran, procéder de la manière suivante :

- Tourner le sélecteur de programme sur la position 'OFF'.
- Attendre jusqu'à ce que le texte affiché à l'écran disparaisse.
- Tourner le sélecteur de programme dans la position précédente.

Appliquer les mesures de réparation correspondantes dans l'ordre prescrit uniquement si le défaut réapparaît. Pour ce faire, l'interrupteur à clé doit se trouver sur la position "0" et la touche d'arrêt d'urgence doit être enfoncée.

- Si le défaut ne peut pas être éliminé, appeler le service après-vente en indiquant le message d'erreur.

REMARQUE

Les messages d'erreur qui ne sont pas répertoriés dans le tableau suivant indiquent des erreurs qui ne peuvent pas être résolues par l'opérateur. Dans ce cas, en informer le service après-vente.

Défauts qui s'affichent à l'écran

Affichage de l'écran	Cause	Remède
contacteur de siège ouvert !	Le contacteur de siège n'est pas activé.	→ Décharger la pédale d'accélérateur. Prendre place sur le siège.
Relâcher la pédale d'accélérateur !	Lorsque l'interrupteur à clé est activé, la pédale d'accélérateur est enfoncée.	→ Relâcher la contrainte de la pédale d'accélérateur puis l'actionner de nouveau.
Aucun sens de la marche !	Interrupteur du sens de la marche ou raccord à câble défectueux.	→ Contacter le service après-vente.
Décharger la batterie !	Tension de la batterie trop basse.	→ Recharger la batterie.
Tension de batterie non autorisée !	La tension de batterie est inférieure ou supérieure à la plage autorisée.	→ Contacter le service après-vente.
Chargeur défectueux !	Défaut sur le chargeur, aucun chargement possible.	→ Vérifier le chargeur.
Réservoir d'eau propre vide !	Le réservoir d'eau propre est vide.	→ Remplir le réservoir d'eau propre.
Pression des brosses non atteinte !	Timeout de la régulation de la pression d'appui au sol de la brosse.	→ Contrôler l'usure de la brosse, le cas échéant la remplacer. → Contrôler le fonctionnement de la tête de la brosse : abaisser, soulever.
Bac d'eau sale plein !	Réservoir d'eau sale plein.	→ Vider le réservoir d'eau sale.
	Capteur de niveau ou raccord à câble défectueux.	→ Contacter le service après-vente.
Freins défectueux !	Freins défectueux.	→ Ne plus déplacer l'appareil. → Contacter le service après-vente.
Moteur de traction chaud ! Faire refroidir !	Déclenchement du disjoncteur moteur	→ Mettre le commutateur de sécurité en position '0'. → Laisser refroidir l'appareil au moins 15 minutes. → Si l'indication se répète, contacter le service après-vente.
Avertisseur sonore défectueux !	Avertisseur sonore défectueux.	→ Contacter le service après-vente.

Affichage de l'écran	Cause	Remède
Commande chaude ! Faire refroidir !	Système électronique de puissance du module alternatif (A4) trop chaud	<ul style="list-style-type: none"> ➔ Mettre le commutateur de sécurité en position '0'. ➔ Laisser refroidir la commande pendant au moins 5 minutes. ➔ Si le sol est rugueux, réduire considérablement la pression de la brosse. ➔ Si l'indication se répète, contacter le service après-vente.
Moteurs de brosse surchargés !	Sollicitation des sabots non symétrique.	➔ Régler la trace des brosses.

Défauts qui ne s'affichent pas à l'écran

Panne	Remède
Il est impossible de mettre l'appareil en marche	Contacteur de siège non actionné ; prendre place sur le siège. L'appareil ne fonctionne que si l'utilisateur est assis sur le siège.
	Mettre le commutateur de sécurité en position '1'.
	Positionner le sélecteur de programme sur "OFF". Attendre 10 secondes. Régler le sélecteur de programme sur la fonction précédente. Si possible, ne déplacer l'appareil que sur des surfaces planes. Le cas échéant, contrôler le frein à main et le frein à pédale.
	Avant d'activer le commutateur de sécurité, retirer le pied de la pédale d'accélérateur. Si le défaut apparaît de nouveau, contacter le service après-vente.
	Vérifier les batteries, les recharger si nécessaire
Quantité d'eau insuffisante	Contrôler le niveau d'eau propre et en cas de besoin, remplir le réservoir
	Contrôler si les flexibles sont bouchés, en cas de besoin nettoyer.
	Tête de nettoyage R Retirer et nettoyer la barre de répartition de l'eau.
	Nettoyer le filtre d'eau propre.
Puissance d'aspiration insuffisante	Nettoyer les joints entre le réservoir d'eau sale et le couvercle et vérifier s'ils sont étanches ; le cas échéant les remplacer
	Vérifier l'état de propreté du filtre de protection de la turbine ; si nécessaire, le nettoyer.
	Nettoyer les lèvres d'aspiration sur la barre d'aspiration et en cas de besoin tourner ou remplacer.
	Vérifier si le couvercle sur le flexible de vidange d'eau sale est fermé
	Contrôler si les flexibles d'aspiration sont bouchés, en cas de besoin nettoyer.
	Contrôler si les flexibles d'aspiration sont étanches et en cas de besoin remplacer.
	Vérifier le réglage de la barre d'aspiration.
	Apporter du poids supplémentaire (accessoires) sur la barre d'aspiration.
Résultat de nettoyage insuffisant	Régler la pression.
	Régler les joints racleurs.
	Contrôler le degré d'usure des brosses et le cas échéant, les remplacer.
Les brosses ne se tournent pas	Diminuer la pression.
	Vérifier si des corps étrangers bloquent les brosses et le cas échéant, éliminer les corps étrangers.
	Moteur surchargé, le laisser refroidir. Positionner le sélecteur de programme sur "OFF". Attendre 10 secondes. Régler le sélecteur de programme sur la fonction précédente.
Flexible de vidange pour eau sale bouché	Ouvrir le dispositif de dosage au flexible de vidange Retirer le flexible de vidange de la barre d'aspiration et fermer à la main. Positionner le sélecteur de programme sur aspirer. Le bouchon est aspiré depuis le flexible de vidange dans le réservoir d'eau sale.
Le dosage du détergent boîte (uniquement version boîte) ne fonctionne pas	Avertir le service après-vente.

Caractéristiques techniques

B 150		R 75	D 75	R 90	D90
Performances					
Tension nominale	V	36			
Capacité de la batterie	Ah (5h)	180/240			
Puissance absorbée moyenne	W	2700	2400	2800	2500
puissance nominale du moteur de traction (Adv)	W	600 (1400)			
Puissance du moteur d'aspiration	W	750			
Puissance de moteur de brosses	W	2 x 600		2 x 750	2 x 600
Aspiration					
Puissance d'aspiration, débit d'air	l/s	26			
Puissance d'aspiration, dépression	kPa	18.0			
Brosses de nettoyage					
Largeur de travail	mm	750		900	
Diamètre de la brosse	mm	105	410	105	450
Vitesse des brosses	t/min	1200	140	1200	140
Dimensions et poids					
Vitesse de déplacement, max. (Adv)	km/h	6 (10)			
Déclivité max. (Adv)	%	10 (15)			
puissance surfacique théorique (Adv)	m ² /h	4500 (7500)		5400 (10000)	
Volume du réservoir d'eau propre/réservoir d'eau sale	l	150			
Volume du réservoir à déchets volumineux	l	7	-	9	-
Pression de l'eau du système de remplissage**, système de remplissage**, max.	MPa (bar)	1 (10)			
Longueur	mm	1690			
Largeur (sans barre d'aspiration)	mm	810	810	910	980
Hauteur	mm	1390			
Poids total autorisé (Adv)	kg	820 (838)			
Poids de transport (Adv)	kg	586 (604)			
Contrainte de surface (avec conducteur et réservoir d'eau fraîche plein)					
Roue avant	N/cm ²	94			
Roue arrière	N/cm ²	51			
Valeurs déterminées selon EN 60335-2-72					
Valeur totale d'oscillation des bras	m/s ²	<2.5			
Valeur totale d'oscillation surface d'assise	m/s ²	<2.5			
Incertitude K	m/s ²	0.1			
Niveau de pression acoustique L _{pA}	dB(A)	67			
Incertitude K _{pA}	dB(A)	2			
Niveau de pression acoustique L _{WA} + incertitude K _{WA}	dB(A)	85			

** Option

Accessoires et pièces de rechange

- Utiliser uniquement des accessoires et des pièces de rechange autorisés par le fabricant. Des accessoires et des pièces de rechange d'origine garantissent un fonctionnement sûr et parfait de l'appareil.
- Une sélection des pièces de rechange utilisées le plus se trouve à la fin du mode d'emploi.
- Vous trouverez plus d'informations sur les pièces de rechange dans le menu Service du site www.kaercher.com.

Garantie

Dans chaque pays, les conditions de garantie en vigueur sont celles publiées par notre société de distribution responsable. Les éventuelles pannes sur l'appareil sont réparées gratuitement dans le délai de validité de la garantie, dans la mesure où celles-ci relèvent d'un défaut matériel ou d'un vice de fabrication. En cas de recours en garantie, adressez-vous à votre revendeur ou au service après-vente agréé le plus proche munis de votre preuve d'achat.

INSTRUCCIONES IMPORTANTES DE SEGURIDAD

Lea todas las instrucciones antes de usar el producto.

⚠ ADVERTENCIA

Para reducir el riesgo de fuegos, descarga eléctrica o lesiones:

- 1 no abandonar la unidad mientras esté enchufada. Desenchufar cuando no esté en uso y antes de revisar.
- 2 Para reducir el riesgo de descargar eléctricas utilizar sólo en interiores.
- 3 No permita que se use como juguete. Prestar mucha atención cuando se use cerca de niños.
- 4 Usar exclusivamente como se describe en este manual. Usar solamente con los complementos recomendados por el fabricante.
- 5 No usar con el cable o la clavija dañados. Si el aparato no funciona como debería, se ha caído al suelo, dañado, dejado al aire libre, o caído al agua, devuélvalo a servicio de atención al cliente.
- 6 No tirar del cable ni transportar el aparato cogido por el cable, no cerrar una puerta sobre el cable, ni pasar el cable por bordes o esquinas afiladas. No pasar el aparato por encima del cable. Mantener el cable alejado de superficies calientes.
- 7 No tirar del cable para desenchufar el aparato. Para desenchufar, tire de la clavija no del cable.
- 8 No manipular la clavija ni el aparato con las manos mojadas.
- 9 No introducir objetos en los orificios. No usar con cualquiera de los orificios bloqueados; mantener sin polvo, pelusa, pelo y cualquier otra cosa que pueda reducir el flujo de aire.
- 10 Mantener el cabello, la ropa floja, los dedos y todas las partes del cuerpo alejadas de los orificios y partes móviles.
- 11 Apagar los mandos de control antes de desenchufar.
- 12 Usar con especial cuidado cuando limpie escaleras.
- 13 No usar para recoger líquidos inflamables o combustible, como gasolina, ni utilizar el aparato en áreas donde puedan estar presentes.
- 14 Conectar exclusivamente a una toma con puesta a tierra. Consultar las instrucciones de puesta a tierra.

CONSERVE ESTAS INSTRUCCIONES!

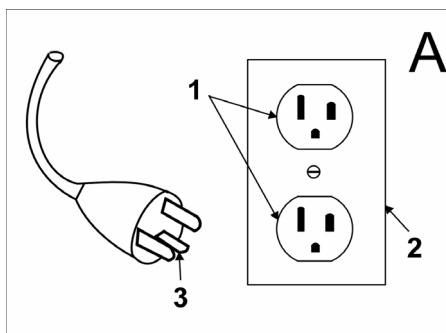
Instrucciones de puesta a tierra

Este producto se tiene que poner a tierra. Si funcionase mal o si se rompiese, la puesta a tierra proporcionaría un circuito menos resistente a la energía eléctrica para reducir el riesgo de electrochoque. Este producto está equipado con un cable que tiene un conductor a tierra y un enchufe a tierra para el equipo. El enchufe se tiene que enchufar a un tomacorriente adecuado, que esté correctamente instalado y puesto a tierra conforme a todas las normas y reglamentos locales.

⚠ PELIGRO

Si la conexión del conductor a tierra del equipo es incorrecta puede existir riesgo de electrochoque. En caso de duda, compruebe con ayuda de un electricista cualificado o del personal del servicio técnico que el tomacorriente está correctamente puesto a tierra. No modifique el enchufe proporcionado con el producto; si no encaja en el tomacorriente, pida a un electricista cualificado que le instale un tomacorriente adecuado. No utilice ningún tipo de adaptador con este producto. Este dispositivo está diseñado para usar en un circuito nominal de 120 V y tiene un enchufe de toma a tierra que tiene el aspecto de la figura A. Asegúrese de que el dispositivo esté conectado a una toma de corriente que tenga la misma configuración que la clavija. No se debe usar un adaptador con este equipo.

CONECTAR EXCLUSIVAMENTE A UNA TOMA DE CORRIENTE CON PUESTA A TIERRA



- 1 Toma de corriente con puesta a tierra
- 2 Caja de toma de corriente con puesta a tierra
- 3 Clavija con puesta a tierra

FORMACIÓN DEL OPERARIO

Sólo se permitirá operar un aparato para limpieza de suelos motorizado a personas formadas y autorizadas. Los operarios de aparatos de limpieza de suelos motorizados deberán estar

cualificados y tener la capacidad visual, auditiva, física y mental para operar equipos de forma segura.

ENTRAMIENTO DE OPERARIO

Aquel personal que no haya sido formado para trabajar con aparatos de limpieza de suelos motorizados solamente podrán utilizarlos para fines de entrenamiento, y bajo supervisión directa del entrenador. Este entrenamiento deberá ser llevado a cabo en un área alejada de camiones, obstáculos y peatones.

El programa de entrenamiento de operarios incluirá las políticas de usuario del lugar en que la persona que esté haciendo el curso vaya a trabajar con el aparato de limpieza de suelos, las condiciones de funcionamiento de dicha ubicación, y el aparato de limpieza con el que este trabajará. El curso se ofrecerá a todos los operarios sin tener en cuenta la experiencia previa.

El entrenamiento informará al participante del curso de:

- A la principal responsabilidad del operario es usar el aparato de limpieza de suelos de forma segura según las instrucciones del programa de entrenamiento.
- B El uso inseguro o incorrecto de un aparato de limpieza de suelos puede tener como consecuencia: la muerte o lesión grave del operario o terceros; daño del aparato de limpieza de suelos u otras propiedades.

El programa de entrenamiento deberá hacer especial hincapié en la operación segura y correcta para evitar lesiones al operario y a terceros y evitar daños materiales, y cubrirá las siguientes áreas.

A Principios fundamentales de aparato(s) de limpieza de suelos motorizados que el participante al curso operará:

- 1 características de los aparatos de limpieza de suelos motorizados, incluidas las variedades de equipos en el lugar de trabajo;
- 2 similitudes y diferencias de automóviles;
- 3 importancia de los datos de la placa identificadora, advertencias e instrucciones aplicables al aparato de limpieza de suelos motorizado;
- 4 instrucciones de funcionamiento y advertencias del manual de funcionamiento para el aparato de limpieza de suelos, e instrucciones para

- la inspección y mantenimiento que deba realizar el operario;
- 5 tipo de energía motriz y sus características;
 - 6 método de control;
 - 7 método de freno y características;
 - 8 visibilidad delantera y trasera;
 - 9 características de estabilidad con y sin carga, con o sin complementos;
 - 10 ubicación de controles, funcionamiento, método de operación, identificación de símbolos;
 - 11 recarga de batería;
 - 12 dispositivos de seguridad y protección para el tipo de aparato de limpieza de suelos específico;
 - 13 otras características del aparato de limpieza de suelos específico.
- B** Ambiente de trabajo y su efecto sobre el funcionamiento del aparato de limpieza de suelos, incluido:
- 1 condiciones del pavimento osuelo incluidas condiciones temporales;
 - 2 rampas e inclinaciones;
 - 3 dispositivos de recarga de batería;
 - 4 pasillos estrechos, entradas, cableado elevado y tuberías, y otras áreas de acceso limitado;
 - 5 áreas en las que el aparato de limpieza de suelos trabaje cerca de otros camiones industriales motorizados, otros vehículos o peatones;
 - 6 uso y capacidad de ascensores;
 - 7 trabajo cerca del borde de muelle o superficie elevada;
 - 8 otras condiciones especiales de funcionamiento y problemas que se puedan encontrar.
- C** Funcionamiento del aparato de limpieza de suelos, incluido:
- 1 inspección correcta previa al comienzo del turno y método autorizado para retirar de funcionamiento un aparato de limpieza de suelos que necesite ser reparado o revisado;
 - 2 transporte, dar la vuelta en esquinas;
 - 3 procedimientos de aparcamiento y apagado;
 - 4 otras condiciones especiales de funcionamiento para el dispositivo específico.
- D** Normas y prácticas de seguridad para el funcionamiento, incluido:
- 1 disposiciones de este estándar en la sección "normas y prácticas de seguridad para el funcionamiento";
 - 2 otras normas, reglas o prácticas especificadas por el empleador en el lugar donde se vaya a poner en funcionamiento el aparato de limpieza de suelos motorizado.

E Prácticas de entrenamiento de funcionamiento, incluido:

- 1 si es posible, se practicará el funcionamiento del aparato de limpieza de suelos motorizado en un área separada del personal y del lugar donde se realicen actividades de trabajo;
- 2 las prácticas de entrenamiento se llevarán a cabo bajo la supervisión del entrenador;
- 3 la práctica de entrenamiento incluirá el funcionamiento en sí o un funcionamiento simulado de todas las tareas tales como maniobra, avance, parada, arranque y otras actividades que se encontrarán en el uso del aparato de limpieza de suelos motorizado.

PRUEBAS, NUEVO ENTRENAMIENTO Y REFUERZO

- A** Durante el entrenamiento, el empleador llevará a cabo pruebas de aptitud y exámenes orales y/o escritos para medir las habilidades y conocimientos del operario de los requisitos de la norma. Los empleadores pueden delegar la realización de las pruebas a terceros pero seguirán siendo responsables de las mismas. Se guardarán archivos correspondientes.
- B** Los operarios volverán a recibir información cuando se introduzca nuevos equipos, se modifique el equipo actual, cambien las condiciones de funcionamiento o el trabajo del operario no sea satisfactorio.
- C** El usuario será responsable de reforzar el uso seguro del aparato de limpieza de suelos motorizado de acuerdo con las disposiciones de esta norma.

NOTA: para más información sobre entrenamiento de operarios consulte por ejemplo, a los fabricantes de aparatos de limpieza de suelos motorizados, agencias gubernamentales relaciones con la seguridad laboral, organizaciones comerciales de usuarios de camiones industriales motorizados, organizaciones públicas y privadas, y consultores de seguridad.

NORMAS Y PRÁCTICAS DE SEGURIDAD PARA EL FUNCIONAMIENTO

Responsabilidad del operario

El operario es responsable de un funcionamiento seguro.

El operario creará unos hábitos de trabajo seguros y estará al tanto de condiciones peligrosas para protegerse a sí mismo, a otros miembros del personal, el aparato de limpieza de suelos motorizado y otros materiales.

El operario estará familiarizado con el trabajo y funcionamiento de todos los controles e instrumentos antes de poner en funcionamiento el equipo.

Antes de poner el funcionamiento el aparato, los operarios tendrán que leer y estar familiarizados con el manual del operario de la unidad en concreto y también cumplirán con las normas y prácticas de seguridad indicadas en los siguientes párrafos.

Antes de poner en funcionamiento cualquier unidad, el operario se familiarizará con las condiciones inusuales de funcionamiento que puedan requerir precauciones de seguridad adicionales o instrucciones de funcionamiento especiales.

Generalidades

Antes de poner en funcionamiento el aparato de limpieza de suelos:

- A** colocar en la posición de funcionamiento;
- B** colocar los controles de dirección en posición neutra;
- C** poner el freno;
- D** poner el interruptor en posición ON.

No arrancar ni poner en funcionamiento la unidad, cualquiera de sus funciones o complementos, en otro sitio que no sea la posición designada de operario.

Mantener las manos y los pies dentro del área de operario designada o en el compartimento de la unidad.

Comprender las limitaciones de la unidad y poner en funcionamiento la unidad de forma segura para no causar daño al personal. Salvaguardar peatones en todo momento.

- A** No conducir el aparato de limpieza de suelos motorizado en dirección a una persona que se encuentre en frente de un objeto.
- B** Asegurarse de que el personal se mantiene apartado del área de giro trasera antes de realizar maniobras retorno.

C Poner especial cuidado a la hora de cruzar pasillos, entragas, y otros lugares por los que los peatones pueden pasar poner la ruta del aparato de limpieza de suelos.

No permitir pasajeros en los aparatos de limpieza de suelos motorizados a no ser que el fabricante haya previsto un lugar seguro para ellos.

Un aparato de limpieza de suelos está vigilado cuando el operario no está a más de 7,6 m del equipo, que sigue a la vista.

Un aparato de limpieza motorizado no está vigilado cuando el operario está a más de 7,6 m del equipo, que sigue a la vista, o cuando el operario abandona el aparato y no lo tiene a la vista.

Antes de dejar la posición del operario:

- A parar completamente el equipo;
- B colocar los controles de dirección en posición neutra;
- C poner el freno de estacionamiento;
- D parar el motor o apagar los controles;
- E si el equipo tiene que estar en una inclinación, bloquear las ruedas.

Mantenerse a una distancia segura del borde de rampas, plataformas y otras superficies de trabajo.

Cuando se suba o baje aparatos de limpieza motorizados a camiones o remolques de carretera, poner frenos, cuñas a las ruedas u otro tipo de mecanismo para evitar que los camiones o remolques de carretera se muevan de forma no intencionada.

Siempre que se suba o baje aparatos de limpieza de suelos motorizados a tráilers que no estén acoplados a un tractor, puede que sea necesario utilizar apoyos para evitar que se tumben o vaya hacia una esquina.

Se debe poner especial cuidado en no entrar en contacto con instalaciones elevadas como luces, cableado, tuberías, sistema de riego etc.

Informe al supervisor o a la persona indicada de todos los accidentes en el que hayan estado involucrados personal, estructuras del edificio, y equipamiento.

No realice modificaciones ni añadidos al equipo.

No bloquear el acceso a las salidas de emergencias de incendios, escaleras o equipo antiincendios.

Conducción

Respetar todas las normas de circulación incluidos los límites de velocidad autorizados en la planta. En condiciones de tráfico normales, manténgase a la derecha. Mantenerse a una distan-

cia segura, basada en la velocidad de conducción, de la parte delantera del equipo; y tener la unidad bajo control en todo momento.

Ceder el paso a peatones y vehículos de emergencias como ambulancias o camiones de bomberos.

No adelante otro vehículo que vaya en la misma dirección en cruces, puntos ciegos u otros lugares peligrosos.

Reduzca la velocidad y el sonido de dispositivo(s) de emergencia en cruces y otros lugares donde la visión sea reducida.

Cruce vías de tren en ángulo siempre que sea posible. No aparcarse a menos de 1800 mm de la vía del tren.

Subir o bajar inclinaciones lentamente, y con precaución. Evitar dar la vuelta, si es posible, y tener especial precaución en cuestas, rampas o inclinaciones; conducir normalmente en línea recta.

Mantener una buena vista del camino por el que conduce y preste atención al tráfico, personal y seguridad.

Operar el equipo siempre a una velocidad que permita parar de manera segura.

Arrancar, parar, dar la vuelta y cambiar de dirección con cuidado para no lastrar y/o volcar el aparato de limpieza de suelos motorizado.

No permita realizar escenas peligrosas ni jugar con el equipo. Reducir la velocidad en suelos húmedos y resbaladizos.

Antes de conducir sobre un muelle o puente, asegúrese de que esté bien seguro. Conducir con cuidado y lentamente por el muelle o puente, y no exceda nunca la capacidad indicada.

No conducir sobre aparatos de limpieza de suelos motorizado en ningún ascensor a no ser que se haya autorizado específicamente. Acérquese lentamente al ascensor, y entre de forma directa cuando la caja del ascensor esté correctamente en posición. Cuando esté dentro del ascensor, neutralice los controles, apague el interruptor, y ponga los frenos. Se recomienda que todo el personal salga del ascensor antes de que entre el aparato de limpieza de suelos motorizado.

Al sortear curvas, reduzca la velocidad a un nivel seguro de acuerdo con el ambiente de funcionamiento. Sortear las curvas con cuidado. Excepto en situaciones de maniobra a velocidad muy baja, ponga el control de mando a un nivel moderado y uniforme.

El funcionamiento del aparato de limpieza de suelos motorizado requiere

una serie de consideraciones de seguridad, tal y como se indica a continuación:

A Un aparato de limpieza de suelos motorizado puede volcar si el operario no reduce la velocidad para sortear curvas de forma segura. Los siguientes signos indican que el aparato va a una velocidad excesiva a la hora de sortear curvas:

- 1 las ruedas derrapan;
- 2 la unidad se balancea hacia un lateral;
- 3 las ruedas se levantan; y
- 4 se necesita agarrar el volante fuertemente para evitar salir despedido del asiento.

B La posibilidad de volcar aumenta en cualquiera de las siguientes situaciones o en una combinación de ellas:

- 1 conducir en una superficie irregular;
- 2 conducir a velocidad excesiva.

C Se puede volcar hacia delante y aumentan las probabilidades bajo las siguientes condiciones o combinación de ellas:

- 1 El operario debe permanecer junto al aparato de limpieza de suelos motorizado si cae por un muelle de carga o rampa. El operario debe sujetarse bien y alejarse del punto de impacto.
- 2 Cuando el ambiente resulta muy peligroso, o hay unas condiciones de uso inusuales, el usuario puede necesitar tomar unas precauciones diferentes y/o adicionales e instrucciones de funcionamiento especiales de acuerdo con las condiciones.

Cuidados del equipo realizados por el operario

Al comienzo de cada turno y antes de poner en funcionamiento el aparato de limpieza de suelos motorizado, comprobar su estado, prestar especial atención a lo siguiente:

- A estado de las ruedas
- B si las ruedas son neumáticas, comprobar la presión del aire
- C dispositivos de advertencia y seguridad
- D luces
- E batería
- F controles
- G sistemas de elevación e inclinación
- H cadenas y cables
- I interruptores de límites
- J frenos
- K mecanismo de control

L objetos adicionales o equipo especial tal y como especifica el usuario y/o fabricante

Si el equipo necesita ser reparado o es inseguro, o favorece una situación insegura, se deberá informar del problema inmediatamente al encargado designado por el usuario, y no se pondrá en funcionamiento el equipo hasta que se recupere el estado de funcionamiento seguro.

Si el equipo se vuelve inseguro de cualquier modo durante su funcionamiento, se deberá informar del problema inmediatamente al encargado designado por el usuario, y no se pondrá en funcionamiento el equipo hasta que se recupere el estado de funcionamiento seguro.

No realizar reparaciones o ajustes a no ser que se autorizó específicamente.

No usar llamas directas cuando se comprueba el nivel de electrolitos en las baterías de almacén.

MANTENIMIENTO Y PRÁCTICAS DE RECONSTRUCCIÓN

El funcionamiento del equipo puede resultar peligros si no realiza el mantenimiento o se llevan a cabo reparaciones, reconstrucciones o ajustes que no correspondan con los criterios de diseño del fabricante. Por lo tanto, se deben poner a disposición lugares de mantenimiento (en el mismo local o en otro lugar), personal cualificado, y procedimientos detallados.

El fabricante del aparato de limpieza de suelos motorizado puede suministrar manuales de piezas y mantenimiento.

En casos excepcionales, no incluidos en los manuales anteriormente mencionados, consulte al fabricante del aparato de limpieza de suelos motorizado.

El mantenimiento e inspección de la unidad se realizará de acuerdo con las siguientes prácticas:

- A a un mantenimiento planificado, le seguirán lubricación e inspección del sistema: consulte las recomendaciones del fabricante.
- B sólo se permitirá realizar mantenimiento, reparaciones, ajustes e inspecciones del equipo a personal formado y autorizado y de acuerdo con las especificaciones del fabricante.

Al elevar el aparato de limpieza de suelos motorizado para reparar o inspeccionar, se elevará con cuidado, de modo seguro y estable. Si se quitan

componentes tales como contrapesos o montantes se cambiará el centro de gravedad y puede crear una condición inestable.

Antes de comenzar la inspección y reparación del aparato de limpieza de suelos motorizado:

- A elevar las ruedas del suelo desconectar la batería y usar cuñas u otros mecanismos positivos para posicionar el camión;
- B bloquear el chasis antes de trabajar en él;
- C desconectar la batería antes de trabajar en el sistema eléctrico;
- D el conector del cargador sólo se enchufará en el conector de la batería y nunca en el conector de la unidad.

La puesta en marcha del aparato de limpieza de suelos motorizado para comprobar el funcionamiento se llevará a cabo en un área autorizada segura.

- A Antes de poner el marcha el equipo:
 - 1 colocar en la posición de funcionamiento;
 - 2 poner el freno;
 - 3 colocar los controles de dirección en posición neutra;
 - 4 poner el interruptor en posición ON;
 - 5 comprobar el funcionamiento de los sistemas de elevación e inclinación, dispositivos de dirección, advertencia y frenos.
- B Antes de dejar el equipo:
 - 1 parar el equipo;
 - 2 colocar el control de dirección en posición neutra;
 - 3 poner el freno de estacionamiento;
 - 4 parar el motor o apagar el interruptor;
 - 5 apagar el circuito de control;
 - 6 si se tiene que dejar el equipo en una inclinación, bloquear las ruedas.

Evitar los riesgos de incendios y tener equipo de protección de incendios en el área de trabajo. No usar llama directa para comprobar el nivel que cualquier fluido, especialmente electrolitos de la batería. No usar recipientes abiertos de fuel o líquidos inflamables de limpieza para las limpiar las piezas. Ventilar correctamente el área de trabajo, dejar salir humos de escape, y mantener la tienda limpia y seca.

Los frenos, mecanismos de dirección, control, dispositivos de advertencia, luces, reguladores, seguridad y protección, topes de eje articulados, y componentes del bastidor serán inspeccionados cuidadosamente y con regularidad y se mantendrán en condiciones de funcionamiento seguras.

NORMA DE SEGURIDAD CONTRA INCENDIOS

Cualquier unidad que no esté en un estado de funcionamiento seguro será retirada de servicio.

No se realizarán reparaciones en ubicaciones de clase I, clase II y clase III. Sólo se realizarán reparaciones del sistema eléctrico de aparatos de limpieza de suelos a batería cuando esta se haya desconectado.

Temperatura de funcionamiento.

Cuando la temperatura de cualquier pieza de un aparato de limpieza de suelos motorizado es superior a la normal y supone un peligro, se retirará el vehículo de servicio y no se volverá a poner en funcionamiento hasta que no se haya solucionado la causa del sobrecalentamiento.

Prevención de incendios. Se mantendrá el equipo limpio y sin pelusas, exceso de aceite y grasa en la medida de lo posible. Es preferible utilizar productos no combustibles para limpiar el equipo. No está permitido utilizar líquidos inflamables [aquellos que tengan puntos de inflamación de o superior a 37,8°C (100°F)]. Se deberá tomar precauciones ante la toxicidad, ventilación e incendios con el producto o disolvente usado.

Visibilidad de la placa identificadora. Las denominaciones de tipo de equipo se indican en la placa identificadora y no se deben cubrir las marcas de tipo con pintura para que no se vea la información de identificación.

Cambiar y cargar las baterías de almacén.

Esta sección se refiere a las baterías usadas en los vehículos eléctricos. Los dos tipos de baterías más usados son plomo y níquel-hierro. Contienen soluciones químicas corrosivas, como ácido o álcali y, por lo tanto, representan un peligro químico. Mientras se cargan, emiten hidrógeno y oxígeno, que, en determinadas concentraciones, son explosivos.

La instalación de carga de batería debe estar ubicada en áreas designadas para este fin; dichas áreas deben estar libres de materiales combustibles externos. Se deberán ofrecer lugares para:

- A tirar electrolitos derramados;
- B Protección anti incendios;
- C proteger el cuerpo de carga de daños ocasionados por el vehículo, y
- D ventilación adecuada para dispersión de humos de baterías gaseantes.

Cuando se usan cargadores a bordo, se deberá realizar la recarga en los lugares designados para ello, y se deberán tener en cuenta las exigencias eléctricas del cargador y los servicios de protección anti incendios.

Excepción: No será necesario disponer de servicio de eliminación si se recarga sin retirar la batería del vehículo. En los casos en que la concentración de ácido es superior al 50% (por encima de 1400 de gravedad específica) se debe suministrar una fuente para lavar los ojos.

Se deberá suministrar un montacargas elevado de transporte, o un dispositivo de manipulación de materiales similar para manipular las baterías.

Los montacargas de cadena deben estar equipados con contenedores de cadena de carga. Cuando se usa un montacargas manula, se cubrirán las baterías descubiertas con una hoja de contrachapado u otro material no conductor para evitar que la cadena manual provoque un cortacircuito en conectores de células o terminales. Se usará una barra esparcidora aislada correctamente con cualquier montacargas elevado.

Las baterías reinstaladas o nuevas deberán cumplir o superar el tipo de batería indicado en la unidad. Las baterías reinstaladas deben ser colocadas y aseguradas correctamente en la unidad.

Se suministrará un inclinador de garrafón o sifón cuando se use ácido en garrafones. Cuando se diluya ácido sulfúrico concentrado para hacer electrolitos, SIEMPRE se añadirá el ácido al agua, no a la inversa. El personal de mantenimiento de batería utilizará ropa y gafas de seguridad, manga larga y guantes.

Excepción: quitar y sustituir baterías no requiere el uso de ropa de seguridad.

Las instalaciones eléctricas deben cumplir el NFPA 70, el código eléctrico nacional y todas las normativas locales.

Sólo personal formado y autorizado cambiará o cargará las baterías.

Colocar correctamente el aparato de limpieza de suelos motorizado y poner los frenos antes de cambiar o cargar baterías.

Al cambiar baterías, los tapones de ventilación deben estar en su sitio para evitar pulverizar electrolitos. Se debe poner especial cuidado en asegurar que los tapones de ventilación funcionan. La(s) tapa(s) de la batería (o com-


partimento) deben estar abiertas para dejar salir el calor y el gas.

Está prohibido fumar en la zona de carga.

Se deben tomar precauciones para evitar llamas directas, chispas o arcos eléctricos en las zonas de carga de baterías.

Las herramientas y otros objetos metálicos se mantendrán alejados de las partes superiores de las baterías descubiertas.

No se usará la unidad en áreas clasificadas.

 Antes del primer uso de su aparato, lea este manual original, actúe de acuerdo a sus indicaciones y guárdelo para un uso posterior o para otro propietario posterior.

Índice de contenidos

Indicaciones de seguridad . . .	ES . . .	6
Función	ES . . .	6
Uso previsto	ES . . .	6
Protección del medio ambiente	ES . . .	6
Elementos de mando	ES . . .	7
Antes de la puesta en marcha	ES . . .	8
Funcionamiento	ES . . .	10
Intelligent Key gris	ES . . .	12
Transporte	ES . . .	13
Almacenamiento	ES . . .	13
Cuidados y mantenimiento . . .	ES . . .	13
Ayuda en caso de avería	ES . . .	16
Datos técnicos	ES . . .	18
Accesorios y piezas de repues- to	ES . . .	19
Garantía	ES . . .	19

Indicaciones de seguridad

Antes de utilizar por primera vez el aparato, lea y tenga en cuenta el presente manual de instrucciones y el folleto adjunto relativo a las indicaciones de seguridad para aparatos de limpieza con cepillos y aparatos pulverizados, 5.956-251.

El aparato está autorizado para el funcionamiento sobre superficies con una inclinación máxima indicada en el apartado "Datos técnicos".

Dispositivos de seguridad

La función de los dispositivos de seguridad es proteger al usuario y está prohibido ponerlos fuera de servicio y modificar o ignorar su funcionamiento.

Interruptor de seguridad



Para poner fuera de servicio todas las funciones de manera inmediata y con la debida precaución: Ponga el interruptor de llave en la posición "0".

- Al desconectar el interruptor de seguridad, el aparato frena bruscamente.
- La parada de emergencia tiene efecto inmediato sobre todas las funciones del aparato.

Interruptor del asiento

El motor de tracción se apaga tras una pequeña deceleración, en caso de que el operario deje el asiento durante el modo de trabajo o la marcha.

Símbolos en el aparato

	PRECAUCIÓN <i>Riesgo de lesiones por aplastamiento. Mantener las manos alejadas de esta zona al girar hacia abajo el depósito de agua sucia.</i>
	PELIGRO Mayor riesgo de accidentes por velocidad alta. Desplazarse despacio por las zonas inclinadas.

Niveles de peligro

PELIGRO

Para un peligro inminente que acarrea lesiones de gravedad o la muerte.

ADVERTENCIA

Para una situación que puede ser peligrosa, que puede acarrear lesiones de gravedad o la muerte.

PRECAUCIÓN

Indicación sobre una situación que puede ser peligrosa, que puede acarrear lesiones leves.

CUIDADO

Aviso sobre una situación probablemente peligrosa que puede provocar daños materiales.

Función

La fregadora/aspiradora sirve para efectuar la limpieza en húmedo o el pulido de pisos llanos.

El aparato se puede adaptar fácilmente la cantidad de detergente así como la velocidad de conducción a la tarea de limpieza que corresponda ajustando la cantidad de agua, la presión de apriete.

Uso previsto

Utilice el aparato únicamente de conformidad con las indicaciones del presente manual de instrucciones.

- El aparato ha sido concebido exclusivamente para la limpieza de suelos lisos resistentes a la humedad y al pulido.
- Este aparato está destinado a ser usado en interiores.
- El margen de temperaturas de servicio está comprendido entre los +5°C y los +40°C.
- El aparato no es apto para la limpieza de pisos congelados (p. ej., en almacenes frigoríficos).
- El aparato es apto para una altura de agua máxima de 1 cm. No des-

plazarse en una zona donde haya riesgo de superar la altura máxima de agua.

- Sólo está permitido dotar al aparato de accesorios y piezas de repuesto originales.
- El presente aparato no es apto para la limpieza de las vías públicas de tránsito.
- El aparato no se puede utilizar sobre suelos que no resistan la presión. Respete la capacidad máxima de carga por unidad de superficie del piso. La capacidad de carga por unidad del aparato se indica en los datos técnicos.
- El aparato no es apto para el uso en entornos con peligro de explosión.
- Con el aparato no se puede aspirar gases combustibles, ácidos no diluidos ni disolventes.
Como gasolina, diluyentes cromáticos o fuel, que se pueden formar mezclas explosivas con el aire aspirado. Tampoco use acetona, ácidos ni disolventes sin diluir, ya que atacan a los materiales utilizados en el aparato.

Protección del medio ambiente



Los materiales de embalaje son reciclables. Por favor, no tire el embalaje al cubo de basura; llévelo a un lugar de reciclaje.



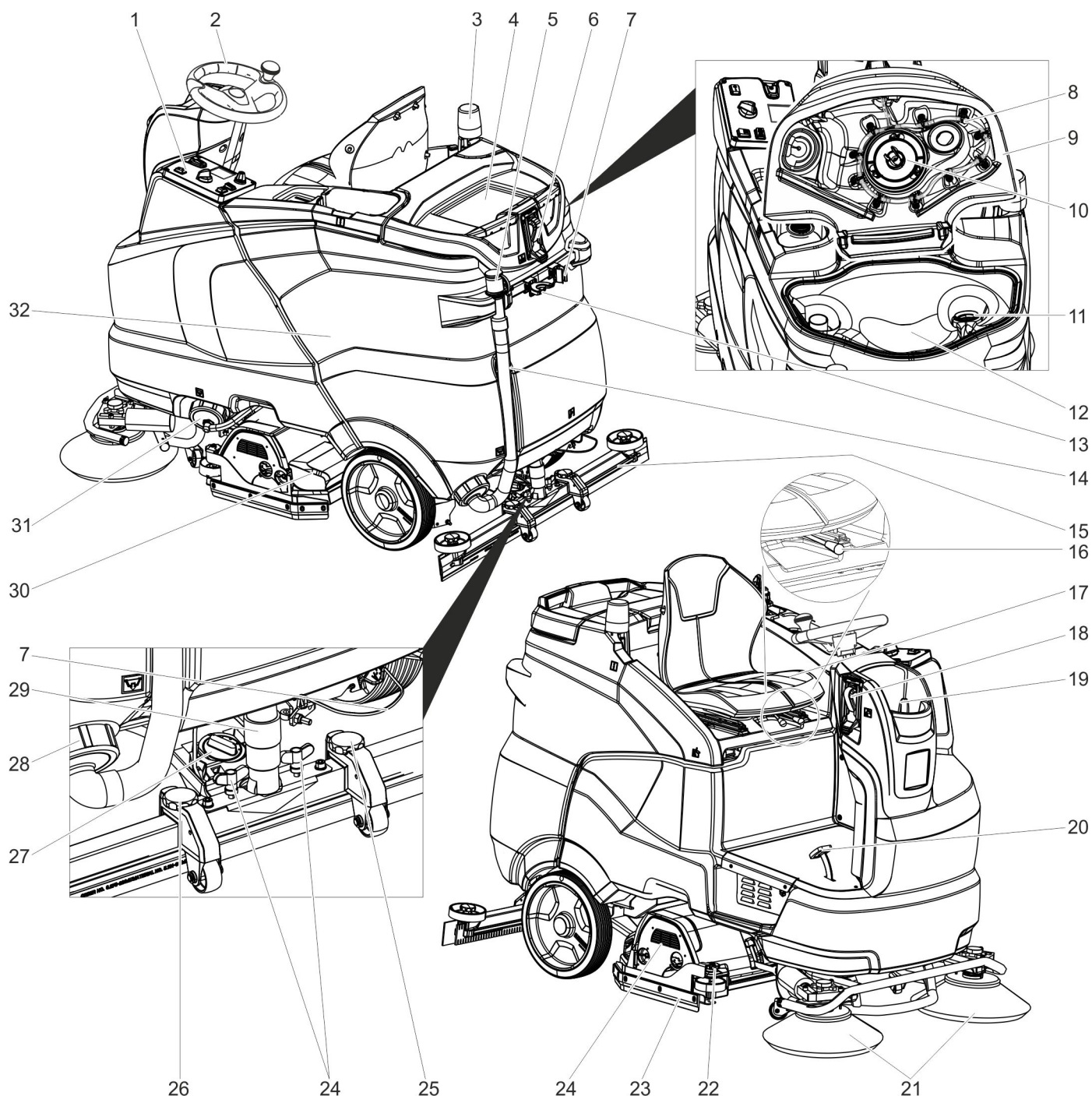
Los aparatos viejos contienen materiales valiosos reciclables que debieran aprovecharse. Evite el contacto de baterías, aceites y materias semejantes con el medioambiente. Deshágase de los aparatos viejos recurriendo a sistemas de recogida apropiados.

Indicaciones sobre ingredientes (REACH)

Encontrará información actual sobre los ingredientes en:

www.kaercher.com/REACH

Elementos de mando

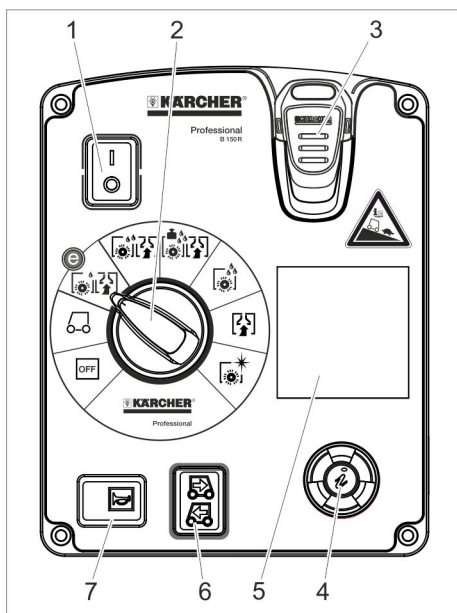


- | | | |
|--|--|--|
| 1 Panel de control | 13 Soporte de herramienta ** | 27 Empuñadura giratoria para inclinar la barra de aspiración |
| 2 Volante | 14 Manguera de salida de agua sucia | 28 Cierre, depósito de agua sucia |
| 3 Piloto de advertencia ** | 15 Barra de aspiración * | 29 Manguera de aspiración |
| 4 Superficie de apoyo para el set de limpieza "Homebase Box" | 16 Palanca de regulación del asiento | 30 Depósito de partículas gruesas (sólo en el cabezal limpiador R) * |
| 5 Dispositivo de dosificación para agua sucia | 17 Asiento (con interruptor de asiento) | 31 Cierre del depósito de agua limpia con filtro de agua limpia |
| 6 Toma de agua para el sistema de enjuague del depósito de agua sucia ** | 18 Sistema de llenado ** | 32 Batería |
| 7 Soporte para la mopa ** | 19 Tapa depósito de agua limpia | |
| 8 Sistema de enjuague del depósito de agua sucia ** | 20 Pedal acelerador | |
| 9 Tapa del depósito de agua sucia | 21 Escobilla lateral (solo variante SB) | |
| 10 Flotador | 22 Rueda de ajuste del labio de secado | |
| 11 Filtro de pelusas | 23 Labio de secado | |
| 12 depósito de agua sucia | 24 Cabezal limpiador * | |
| | 25 Configuración de altura de la barra de aspiración | |
| | 26 Tuercas de mariposa para fijar la barra de aspiración | |

* no incluido en el volumen de suministro

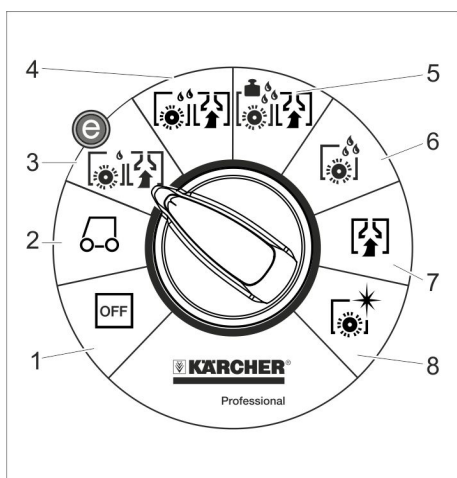
** Opción

Pupitre de mando



- 1 Interruptor de seguridad
- 2 Programador
- 3 Intelligent Key
- 4 Botón de información
- 5 anuncio
- 6 Interruptor de dirección
- 7 Claxon

Programador



- 1 **OFF**
El aparato está apagado.
- 2 Desplazamiento de transporte
Conducir hasta el lugar de empleo.
- 3 **Programa Eco**
Limpiar el suelo (con velocidad de cepillos reducida) y aspirar el agua sucia (con potencia de aspiración reducida).
- 4 **Aspiración-fregado**
Limpiar en húmedo del suelo y aspirar el agua sucia.
- 5 **Heavy Programm**
Limpiar en húmedo el suelo (con presión de apriete del cepillo elevada) y aspirar el agua sucia.

6 Fregar

Limpiar en húmedo del suelo y dejar actuar al detergente.

7 Aspiración

Aspire la suciedad.

8 Pulir

Pulir el suelo sin emplear líquidos.

Símbolos en el aparato

	Asa para girar hacia arriba el depósito de agua sucia
	Punto de amarre
	Soporte para la mopa **
	Toma de agua del sistema de llenado **
	Toma de agua para el sistema de enjuague del depósito de agua sucia **
	Orificio de purgado del depósito de agua limpia
	Orificio de purgado del depósito de agua sucia

**) Opción

Antes de la puesta en marcha

Baterías

	Tenga en cuenta las indicaciones presentes en la batería, en las instrucciones de uso y en el manual del vehículo.
	Use protección para los ojos
	Mantenga a los niños alejados del ácido y las baterías
	Peligro de explosiones
	Prohibido hacer fuego, producir chispas, aplicar una llama directa y fumar
	Peligro de causticación

	Primeros auxilios
	Nota de advertencia
	Eliminación de desechos
	No tire la batería al cubo de la basura

⚠ PELIGRO

Peligro de explosiones

No colocar herramientas o similares sobre la batería. Riesgo de cortocircuito y explosión.

Peligro de lesiones. No deje nunca que el plomo entre en contacto con las heridas. Luego de trabajar con las baterías, límpiense siempre las manos.

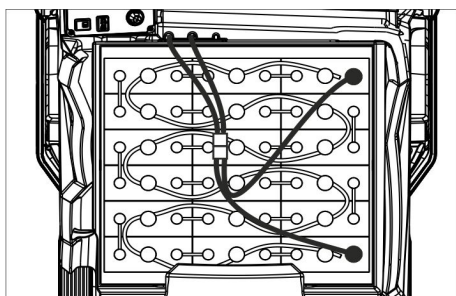
Baterías recomendadas

	Nº referencia	Volumen [m³] *	Corriente de aire [m³/h] **
Juego de baterías de 240Ah, porta-baterías, no precisa mantenimiento	4.035-987.7	27	10,8
Juego de baterías de 180Ah, porta-baterías, no precisa mantenimiento	4.035-988.7	20,25	8,1
Juego de baterías de 240Ah, 6 bloques, no precisa mantenimiento	4.654-306.7	6,975	2,79
Juego de baterías de 180Ah, 6 bloques, no precisa mantenimiento	4.654-307.7	5,175	2,07

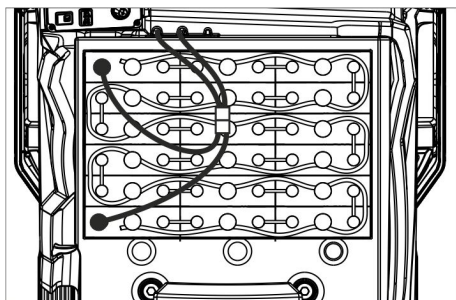
* Volumen mínimo del compartimento de carga de la batería
 ** Corriente de aire mínima entre el compartimento de carga de la batería y el entorno

Colocar las baterías y cerrar

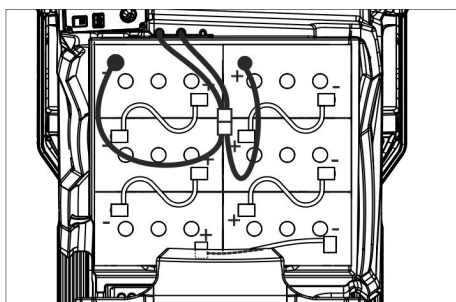
- Ponga el interruptor de llave en la posición "0".
- Desplace el depósito de agua sucia hacia atrás.



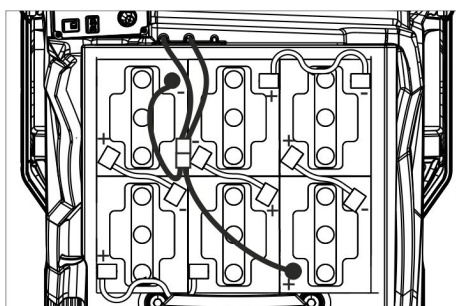
4.035-987.7



4.035-988.7



4.654-306.7 (colocación A)



4.654-307.7 (colocación B)

CUIDADO

Peligro de daños en la instalación. Asegúrese de colocar la polaridad correctamente.

- Lubricar los polos de la batería con lubricante para polos
- Conectar los polos con el cable de conexión que viene incluido.
- Enganchar el cable de conexión suministrado al polo de batería libre (+) y (-).
- Conectar el enchufe de la batería.

CUIDADO

Riesgo de daños si se descarga totalmente. Cargar las baterías antes de poner el aparato en funcionamiento.

Cargar las baterías

AVISO

El aparato dispone de una protección de descarga total, es decir, cuando se alcance la capacidad mínima permitida, el aparato solo se podrá conducir. En la pantalla aparece "Batería débil - Limpieza imposible" y "Batería vacía - cargar por favor".

- Conducir el aparato directamente a la estación de carga, evitar subidas.

AVISO

Si se usan otras baterías (p. ej. de otros fabricantes), el servicio técnico autorizado de Kärcher tiene que ajustar de nuevo la protección de descarga total para la batería en cuestión.

⚠ PELIGRO

Peligro por descarga eléctrica. Tenga en cuenta la línea eléctrica y la protección por fusible, véase "Cargador". ¡Utilice el cargador únicamente en cuartos secos dotados de suficiente ventilación!

AVISO

El tiempo de carga dura aproximadamente 10-12 horas. Los cargadores recomendados (adaptados a las baterías correspondientes) están regulados electrónicamente y finalizan el proceso de carga de manera automática.

⚠ PELIGRO

Peligro de explosiones. El lugar donde se guarde el aparato para cargar la batería, tiene que mostrar un volumen mínimo dependiendo del tipo de batería y un intercambio de aire con una corriente de aire mínima (véase "Baterías recomendadas").

Peligro de explosiones. Sólo está permitido cargar baterías húmedas con el depósito de agua limpia inclinado hacia arriba.

- Girar el depósito de agua sucia hacia arriba.
- Retirar el enchufe de la batería y conectar cable de carga del cargador.
- Enchufar el enchufe del cargador.
- Ejecutar el proceso de carga de acuerdo con el manual de instrucciones del cargador de batería.

Baterías que no requieren apenas mantenimiento (baterías húmedas)

- Una hora antes de que se acabe el proceso de carga, añadir agua destilada, tener en cuenta el nivel de ácido correcto. La batería está

marcada de la forma correspondiente. Al final del proceso de carga, los elementos tienen que desprender gas.

⚠ PELIGRO

Peligro de causticación. Si se llena con agua cuando la batería está descargada, se puede producir una pérdida de ácido.

Utilizar gafas de seguridad para manipular el ácido de la batería y respetar las directrices para evitar lesiones y daños de la ropa.

Enjuagar inmediatamente las salpicaduras de ácido que caigan sobre la piel o la ropa.

CUIDADO

Utilizar únicamente agua destilada o desalada (EN 50272-T3) para rellenar las baterías.

No utilizar más sustancias (los llamados agentes de mejora), de lo contrario desaparecerá la garantía.

Dimensiones máximas de la batería

Disposición	A	B
Longitud	244 mm	312 mm
Anchura	190 mm	182 mm
Altura	275 mm	365 mm

Indicaciones para la primera carga

En la primera carga, el control no detecta el tipo de batería que viene integrada. Cargar las baterías hasta que la pantalla indique carga completa (es posible que las baterías aún no estén cargadas). La próxima vez que se cargue, el indicador y la corriente de carga serán exactas y las baterías se cargarán completamente.

Indicación:

Una "V" a la derecha de la barra del indicador de batería muestra que no se ha realizado la primera carga.

Usar el aparato tras la primera carga de las baterías, hasta que la protección contra la descarga total desconecte el motor de los cepillos y la turbina. Este proceso es necesario para ajustar el indicador de la batería. Solo después se podrá mostrar el nivel correcto de la batería.

Desmontar las baterías

- Ponga el interruptor de llave en la posición "0".
- Desplace el depósito de agua sucia hacia atrás.
- Enganchar el cable del polo negativo de la batería.

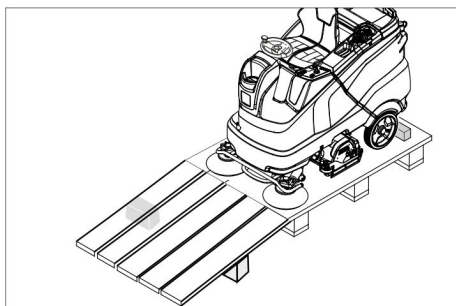
- Desembornar el resto del cable de las baterías.
- Extraer las baterías.
- Eliminar las baterías usadas de acuerdo con las normativas vigentes.

Descarga

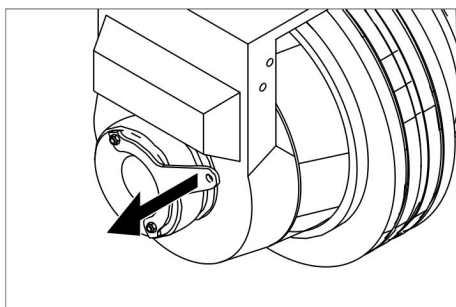
AVISO

Para una puesta fuera de servicio inmediata de todas las funciones, poner el interruptor de seguridad en posición "0":

- Las cuatro tablas de suelo del palé están sujetas mediante tornillos. Destornille dichas tablas.



- Coloque las tablas sobre el borde del palet. Verifique que queden ubicadas delante de las ruedas del equipo. Fije las tablas con los tornillos.
- Coloque las vigas incluidas en el embalaje debajo de la rampa a modo de soporte.
- Retire los listones de madera de delante de las ruedas.



- Tirar de la palanca del freno y, con ella accionada, empujar por la rampa.

- o
- Meter la Intelligent Key.
- Ponga el interruptor de llave en la posición "1".
- Poner el selector de programas en desplazamiento de transporte.
- Poner el interruptor de dirección de marcha en "Avanzar"
- Accionar el pedal del acelerador.
- Bajar el aparato del palé.
- Ponga el interruptor de llave en la posición "0".

Montar el cabezal de limpieza

El montaje del cabezal de limpieza se describe en el capítulo "Trabajos de mantenimiento"

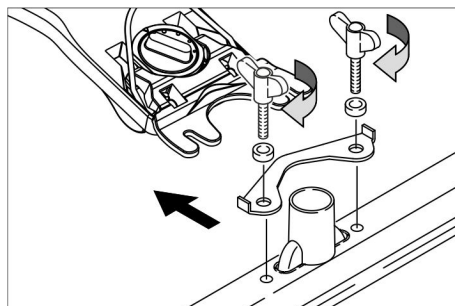
AVISO

En algunos modelos el cabezal de limpieza ya viene montado.

Montaje de los cepillos

El montaje de los cepillos se describe en el capítulo "Trabajos de mantenimiento".

Montaje de la barra de aspiración



- Coloque la barra de aspiración en su soporte de modo que la chapa perfilada quede por encima del soporte.
- Apriete las tuercas de mariposa.
- Coloque la manguera de aspiración.

Funcionamiento

⚠ PELIGRO

Peligro de lesiones. El aparato no se puede utilizar sin techo protector contra objetos que caigan en lugares donde sea posible que al operario le caigan objetos encima.

AVISO

Para una puesta fuera de servicio inmediata de todas las funciones, poner el interruptor de seguridad en posición "0":

Ajuste del asiento del conductor

- Accionar hacia arriba de la palanca del ajuste del asiento y desplazar el asiento hacia la posición deseada.
- Soltar la palanca y encajar el asiento.

Conexión del aparato

- Tomar la posición de asiento.
- Meter la Intelligent Key.
- Ponga el interruptor de llave en la posición "1".
- Girar el selector de programas a la función deseada.

Comprobar el freno de estacionamiento

⚠ PELIGRO

Peligro de accidentes. Antes de cada uso se tiene que comprobar el funcionamiento del freno de estacionamiento en una superficie llana.

- Conexión del aparato.
- Poner el interruptor de dirección de marcha en "Avanzar"
- Poner el selector de programas en desplazamiento de transporte.
- Pulsar ligeramente el pedal acelerador.
- Se debe oír desencajar el freno. El aparato tiene que rodar ligeramente en una superficie llana. Si se suelta el pedal, se oír el freno. Si esto no sucede se debe poner el aparato fuera de servicio y llamar al servicio técnico.

Conducción

⚠ PELIGRO

Peligro de accidentes. Si el aparato no muestra signos de frenar, proceder de la siguiente forma:

- Por razones de seguridad, si el aparato no se para al soltar el acelerador frente a una inclinación de más de 2%, solo se puede poner el interruptor de seguridad en la posición "0" si se ha comprobado el correcto funcionamiento mecánico del freno de estacionamiento antes de cada puesta en marcha.
- ¡Se debe poner el aparato fuera de servicio una vez parado (en una superficie llana) y se debe llamar al servicio técnico!
- También se deben respetar las indicaciones de mantenimiento de los frenos.

⚠ PELIGRO

Peligro de vuelco ante pendientes demasiado acentuadas.

- En la dirección de marcha solo se admiten pendientes de hasta 10% (Adv 15%).
- Desplazarse por pendientes en longitudinal, darle la vuelta.

Peligro de vuelco al tomar las curvas a velocidad rápida.

Peligro de deslizamiento en suelos mojados.

→ Tome las curvas a baja velocidad.

Peligro de vuelco ante una base inestable.

→ Mueva el aparato únicamente sobre una base firme.

Peligro de vuelco ante una inclinación lateral demasiado pronunciada.

Conducción

- Tomar la posición de asiento.
- Meter la Intelligent Key.
- Ponga el interruptor de llave en la posición "1".
- Poner el selector de programas en desplazamiento de transporte.
- Ajustar la dirección con el interruptor de dirección en el pupitre de control.
- Determinar la velocidad de marcha con el pedal acelerador.
- Detenga el aparato: Soltar el pedal de maniobra.

AVISO

Durante la marcha también se puede cambiar la dirección. De esta manera puede avanzar y retroceder en zonas muy obtusas que haya que pulir.

Sobrecarga

En caso de sobrecarga, el motor se apaga tras un tiempo determinado. En la pantalla aparece un aviso de avería. En caso de que el control de sobrecarga, se apagará el agregado en cuestión.

- Dejar enfriar el aparato al menos durante 15 minutos.
- Girar el selector de programas a "OFF", esperar un poco y girar de nuevo al programa deseado.

Adición de combustibles

Detergente

CUIDADO

Peligro de daños en la instalación. Utilice únicamente el detergente recomendado. Para otros detergentes, el operador asume un mayor riesgo en la seguridad del funcionamiento y el peligro de accidentes.

Utilizar sólo detergentes que no contengan disolventes, ácidos clorhídricos ni ácidos hidrofúricos.

Tener en cuenta las indicaciones de seguridad de los detergentes.

Nota

No utilice detergentes altamente espumosos.

Detergente recomendado:

Empleo	Detergente
Limpieza de mantenimiento de todos los suelos resistentes al agua	RM 746 RM 780
Limpieza de mantenimiento de superficies brillantes (p. ej., granito)	RM 755 es

Limpieza de mantenimiento y limpieza a fondo de suelos industriales	RM 69 ASF
Limpieza de mantenimiento y limpieza a fondo de suelos industriales	RM 753
Limpieza de mantenimiento de azulejos en el ámbito sanitario	RM 751
Limpieza y desinfección en el ámbito sanitario	RM 732
Decapado de todos los suelos resistentes a los álcalis (p.ej., PVC)	RM 752
Decapado de suelos de sintasol	RM 754

Agua limpia

- Abra la tapa del depósito de agua limpia.
- Rellenar con agua fresca (máximo 60°C) hasta 15 mm por debajo del borde superior del depósito.
- Adición de detergente.

AVISO

Si se añade primero el detergente en el depósito de detergente y a continuación el agua, puede producirse mucha espuma.

- Cierre la tapa del depósito de agua limpia.

AVISO

Antes de la primera puesta en marcha, rellenar totalmente el depósito de agua fresca para ventilar el sistema de tuberías de agua.

Deposito de llenado (opcional)

- Conectar la manguera de agua en el manguito de conexión del sistema de llenado
- Abrir el suministro de agua. Cuando se llega al nivel máximo de llenado, la válvula de flotador corta el suministro de agua.
- Cerrar el abastecimiento de agua.
- Retirar la manguera de agua.

Ajustar parámetros

Con la Intelligent Key amarilla

El aparato viene previamente configurado con los parámetros para los diferentes programas de limpieza. Dependiendo de la autorización de la Intelligent Key amarilla, se puede modificar los parámetros individualmente. La modificación de los parámetros solo es efectiva hasta que se selecciona otro programa de limpieza con el selector de programas.

Si hay que modificar permanentemente los parámetros, se tiene que utilizar la Intelligent Key gris. La configuración viene descrita en el apartado "Intelligent Key gris".

Nota:

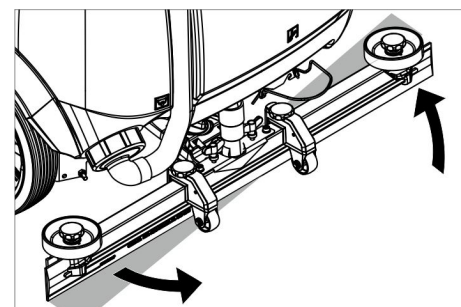
Casi todos los textos de pantalla para configurar los parámetros son auto explicativos. La única excepción es el parámetro FACT:

- Fine Clean: Menor número de rotaciones de cepillos para eliminar velos gris sobre gres fino.
 - Whisper Clean: número de rotaciones medio para limpieza de mantenimiento con un nivel acústico reducido.
 - Power Clean: número de rotaciones de cepillo mayor para pulir, cristalizar y barrer.
- Gire el selector de programas hasta el programa de limpieza deseado.
 - girar el botón de información hasta que aparezcan los parámetros deseados.
 - Pulse el botón de información: el valor ajustado parpadea.
 - Ajustar el valor deseado girando el botón de información.
 - Confirmar la configuración pulsando el botón de información o esperar hasta que se acepte el valor automáticamente tras 10 segundos.

Ajuste de la barra de aspiración

Posición en diagonal

Para mejorar el resultado de la aspiración en pavimentos alicatados, se puede girar la barra de aspiración hasta una posición en diagonal de 5°.



- Suelte las tuercas de mariposa.
- Gire la barra de aspiración.
- Apriete las tuercas de mariposa.

Inclinación

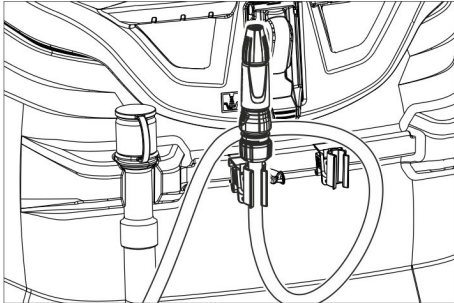
Si el resultado de la aspiración no resulta satisfactorio, se puede modificar la inclinación de la barra de aspiración recta.

- Ajustar la empuñadura giratoria para inclinar la barra de aspiración.

Ajustar labios de secado

- Ajustar los labios de secado mediante la rueda de ajuste para que éstos toquen el suelo.
- Girar de nuevo hacia abajo la rueda de ajuste 1 giro adicional.

Boquilla pulverizadora (opcional)



La manguera con la boquilla pulverizadora está colocada en la parte trasera del aparato. Sirve para retirar la suciedad con agua y para limpiar manualmente el depósito de agua sucia.

- Girar el selector de programas a "Desplazamiento de transporte".
- Pulsar el botón de información.
- Girar el botón de información hasta que aparezca en la pantalla "Enjuague de depósito".
- Pulsar el botón de información.
- Girar el botón de información hasta que aparezca "ON".
- Pulsar el botón de información.

La bomba de agua transporta agua limpia por la boquilla pulverizadora.

Vaciado del depósito de agua sucia

AVISO

Rebose del depósito de agua sucia. Si el depósito de agua sucia está lleno, se enciende la turbina de aspiración y la pantalla muestra "Depósito de agua sucia lleno".

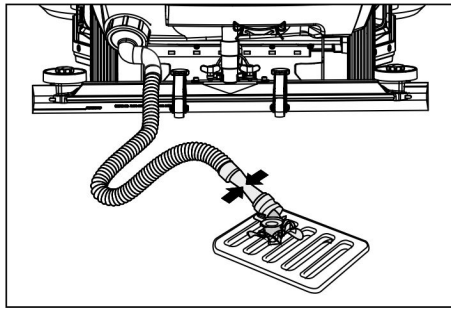
⚠ ADVERTENCIA

Respetar la normativa local vigente en materia de tratamiento de aguas residuales.

- Retire del soporte la manguera de salida de agua sucia y bájela mediante un mecanismo recogedor adecuado.

AVISO

Presionando el dispositivo dosificador se controla la corriente de agua residual.



- Purgue el agua a través del orificio del dosificador situado en la manguera de salida.
- A continuación, aclare el depósito de agua sucia con agua limpia.

Vaciado del depósito de agua limpia

- Abrir el cierre del depósito de agua limpia.
- Purgar el agua limpia.
- Colocar el cierre del depósito de agua limpia.

Vaciar el depósito de partículas gruesas (sólo en el cabezal limpiador R)

- Comprobar el depósito de partículas gruesas. Si es necesario, retirar y vaciar el depósito de partículas gruesas, extraerlo y vaciarlo al final del trabajo.

Puesta fuera de servicio

- Quitar la Intelligent Key.
- Asegure el aparato contra movimientos accidentales con un calzo.
- Cargar la batería si es necesario.

Intelligent Key gris

- Meter la Intelligent Key.
- Seleccionar la función deseada, para ello girar el botón de información.

Las funciones vienen descritas a continuación.

Desplazamiento de transporte

- Girar el selector de programas a "Desplazamiento de transporte".
 - Pulsar el botón de información.
- En el menú desplazamiento de transporte se pueden realizar los siguientes ajustes:

administración de llaves

En este punto se activan las autorizaciones para las Intelligent Keys amarillas, así como el idioma de pantalla.

- Girar el botón de información hasta que aparezca en la pantalla "Menú de llaves".
- Pulsar el botón de información.

- Quitar la Intelligent Key gris e insertar la Intelligent Key amarilla a programar.
- Girar el botón de información para seleccionar el punto de menú a modificar.
- Pulsar el botón de información.
- Girar el botón de información para seleccionar la configuración del punto del menú.
- Pulsar el punto del menú para confirmar la configuración.
- A continuación, girar el botón de información para seleccionar el punto de menú a modificar.
- Para guardar las autorizaciones, girar el botón de información y pulsarlo para acceder al menú "¿Guardar?".
- "Continuar el menú de llaves":
 - Yes: Programar otra Intelligent Key.
 - No: salir del menú de llaves.
- Pulsar el botón de información.

Seleccionar la forma del cepillo

Esta función es necesaria para cambiar el cabezal de limpieza.

- Girar el botón de información hasta que aparezca en la pantalla "Cabezal del cepillo".
- Pulsar el botón de información.
- Girar el botón de información hasta que esté marcada la forma de cepillo deseada.
- Pulsar el botón de información.
- Mover el accionamiento de elevación para cambiar el cabezal de limpieza, para ello girar el botón de información:

up: Elevar
down: Bajar
OFF: Parar

- Salir del menú: Girar el botón de información para seleccionar "OFF" y pulsar el botón de información.

Al salir del menú, el control provoca un reinicio.

Tiempos de marcha por inercia

- Girar el botón de información hasta que aparezca en la pantalla "Tiempos de marcha en inercia".
- Pulsar el botón de información.
- Girar el botón de información hasta que esté marcado el módulo deseado.
- Pulsar el botón de información.
- Girar el botón de información hasta alcanzar el tiempo de marcha en inercia deseado.
- Pulsar el botón de información.

Configurar el tipo de batería

- Girar el botón de información hasta que aparezca "Menú de batería".
- Pulsar el botón de información.
- Girar el botón de información hasta que esté marcado el tipo de batería deseado.
- Pulsar el botón de información.

Ajuste básico

Las modificaciones de los parámetros de cada uno de los programas de limpieza realizadas durante el funcionamiento, se restablecen tras desconectar el aparato al ajuste básico.

- Girar el botón de información hasta que aparezca "Ajuste básico".
- Pulsar el botón de información.
- Girar el botón de información hasta que aparezca el programa de limpieza deseado.
- Pulsar el botón de información.
- girar el botón de información hasta que aparezcan los parámetros deseados.
- Pulse el botón de información: el valor ajustado parpadea.
- Ajustar el valor deseado girando el botón de información.
- Pulsar el botón de información.

Ajuste del idioma

- Girar el botón de información hasta que aparezca "Idioma".
- Pulsar el botón de información.
- Girar el botón de información hasta que esté marcado el idioma deseado.
- Pulsar el botón de información.

Valores de fábrica

Se restablece la configuración de todos los parámetros.

Programas de limpieza

Los parámetros ajustados con la Intelligent Key gris se mantienen hasta que se seleccione otra configuración.

- Gire el selector de programas hasta el programa de limpieza deseado.
- Pulsar el botón de información, aparece el primer parámetro a ajustar.
- Pulse el botón de información: el valor ajustado parpadea.
- Ajustar el valor deseado girando el botón de información.
- Confirmar la configuración pulsando el botón de información o esperar hasta que se acepte el valor automáticamente tras 10 segundos.
- Seleccionar el siguiente parámetro girando el botón de información.

- Tras modificar todos los parámetros deseados, girar el botón de información hasta que aparezca "Salir del menú".
- Pulsar el botón de información, se sale del menú.

Transporte

⚠ PELIGRO

¡Peligro de lesiones! Para las funciones de carga y descarga, el aparato solo admite pendientes de hasta 10% (Adv 15%). Conducir lentamente.

PRECAUCIÓN

- ¡Peligro de lesiones y daños! Respetar el peso del aparato para el transporte.*
- Al transportar en vehículos, asegurar el aparato para evitar que resbale y vuelque conforme a las directrices vigentes.

Con cabezal de limpieza D montado

- Retirar las escobillas de disco de la cabeza del cepillo.

Almacenamiento

PRECAUCIÓN

- ¡Peligro de lesiones y daños! Respetar el peso del aparato en el almacenamiento.*
- Este aparato sólo se puede almacenar en interiores.
 - Para seleccionar el lugar de instalación, tener en cuenta el peso total del aparato permitido, para no poner en peligro la estabilidad.

Cuidados y mantenimiento

⚠ PELIGRO

¡Peligro de lesiones! Antes de realizar trabajos, quitar la Intelligent Key del aparato y desenchufar el cargador. Desconecte la clavija de la batería.

- Purgue el agua sucia y el agua limpia sobrante y elimínala.

⚠ PRECAUCIÓN

Riesgo de lesiones por marcha en inercia de la turbina de aspiración. La turbina de aspiración sigue funcionando tras el apagado. No realizar trabajos de mantenimiento hasta que se haya parado la turbina de aspiración.

Plan de mantenimiento

Después del trabajo

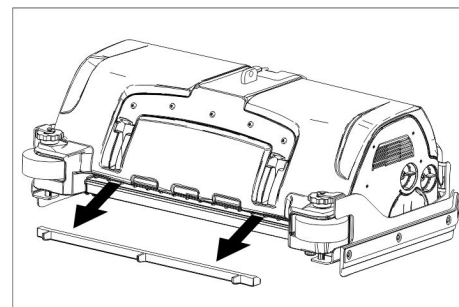
CUIDADO

- Peligro de daños en la instalación. No salpique al aparato con agua ni utilice detergentes agresivos.*
- Purgue el agua sucia.
 - Limpiar el filtro de protección de la turbina.

- Sólo con cabezal de limpieza R: Extraer el depósito de partículas gruesas de suciedad y vaciarlo.
- Limpie el aparato por fuera con un trapo húmedo ligeramente empapado en una solución jabonosa suave.
- Limpie los labios de aspiración y los labios de secado; compruebe si presentan desgaste y, en caso necesario, cámbielos.
- Compruebe si los cepillos presentan desgaste y, en caso necesario, cámbielos.
- Cargue la batería.

Mensualmente

- En caso de aparato parado temporalmente: llevar a cabo una recarga de compensación de la batería.
- Comprobar si los polos de la batería están oxidados, si es necesario cepillar y lubricar con lubricante para polos. Cerciorarse del asiento firme y correcto del cable de conexión.
- Limpie las juntas situadas entre el depósito de agua sucia y la tapa; compruebe su estanqueidad y, en caso necesario, cámbielas
- En el caso de baterías que requieran mantenimiento, comprobar la estanqueidad al ácido de los elementos.
- Limpiar el canal de los cepillos (sólo con cabezal de limpieza R)



- Sacar las tiras de distribución de agua y limpiar el canal de agua (sólo con cabezal de limpieza R).

Anualmente

- Encargue al servicio técnico la revisión anual obligatoria.

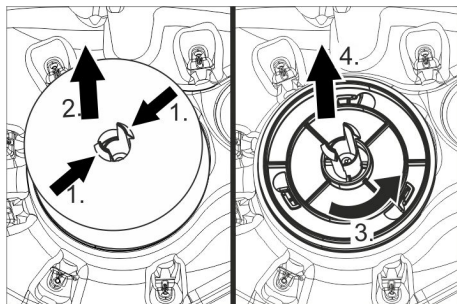
Trabajos de mantenimiento

Contrato de mantenimiento

Para garantizar el funcionamiento seguro del aparato, es posible firmar contratos de mantenimiento con el departamento comercial correspondiente de Kärcher.

Limpiar el filtro de protección de la turbina

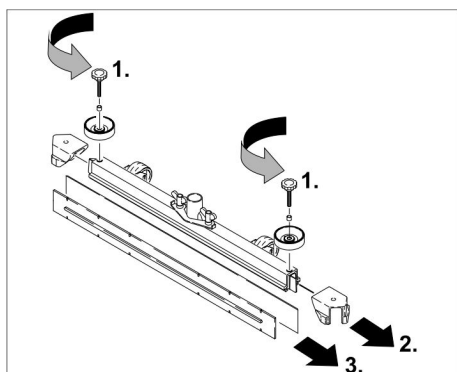
- Abrir la tapa del depósito de agua sucia.



- Presionar los ganchos de encaje.
- Extraer el flotador.
- Gire el filtro de protección de la turbina en el sentido opuesto a las agujas del reloj.
- Extraer el filtro de protección de la turbina.
- Enjuagar la suciedad del filtro de protección de la turbina con agua.
- Vuelva a colocar el filtro de protección de la turbina.
- Insertar el flotador.

Recambio de los labios de aspiración

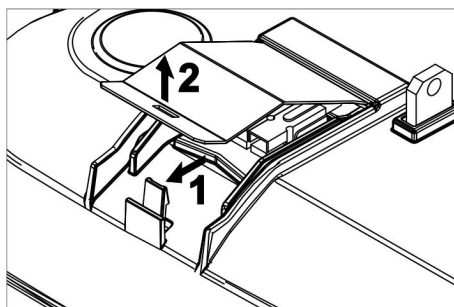
- Retire la barra de aspiración.
- Desatornille los mangos en estrella.



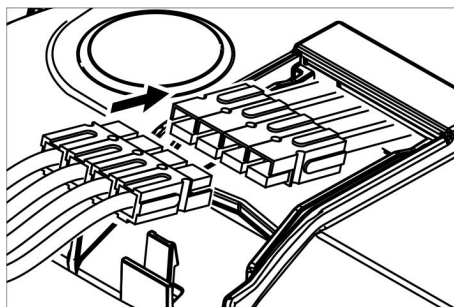
- Retire las piezas de plástico.
- Retire los labios de aspiración.
- Introduzca los labios de aspiración nuevos.
- Coloque las piezas de plástico.
- Atornille y apriete los mangos en estrella.

Instalar un cabezal de limpieza D

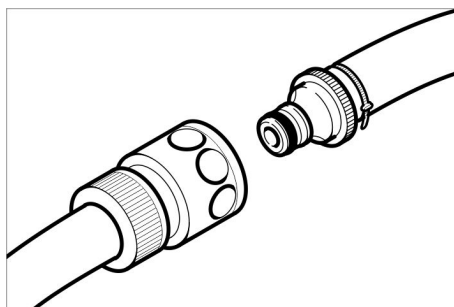
- Elevar el soporte del cabezal de limpieza (véase el capítulo "Intelligent Key gris/.../cambio de forma de cepillo").
- Empujar el cabezal de limpieza por debajo del aparato para que la manguera apunte hacia atrás. Empujar sólo la mitad del cabezal de limpieza tras el aparato.



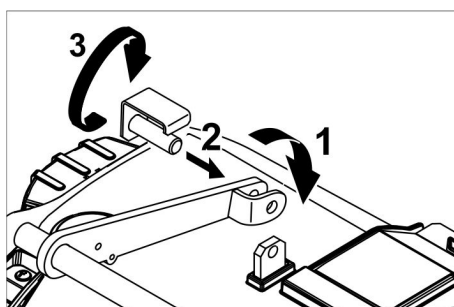
- Retirar la tapa del cabezal de limpieza.



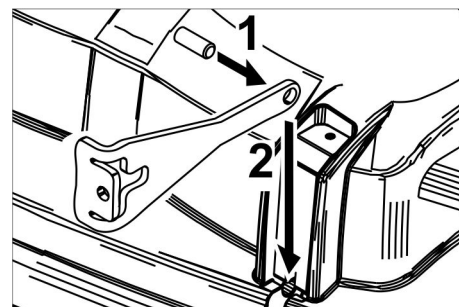
- Conectar el cable de alimentación del cabezal de limpieza con el aparato (deben coincidir los mismos colores).
- Colocar la tapa y encajarla.
- Empujar el cabezal de limpieza centrado por debajo del aparato.



- Unir el acoplamiento del cabezal de limpieza con la manguera del aparato



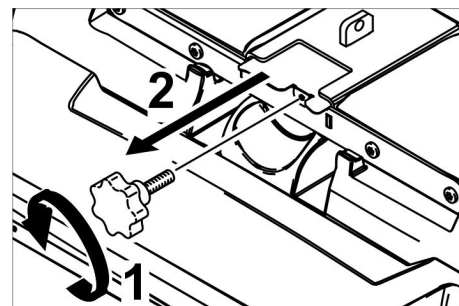
- Colocar la lengüeta del medio del cabezal de limpieza en la horquilla de la palanca.
- Colocar el soporte del cabezal de limpieza de forma que los orificios coincidan en la palanca y el cabezal de limpieza.
- Meter el perno de anclaje por los orificios y bajar la chapa de seguridad.



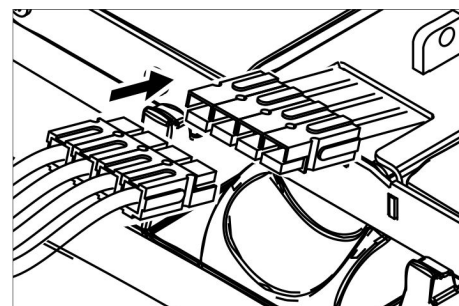
- Introducir la clavija del cilindro en el agujero de la barra de tracción.
- Empujar por las guías totalmente hacia abajo la barra de tracción con la clavija en el cabezal de limpieza.
- Introducir la chapa de protección en las guías y encajarla.
- Repetir el procedimiento con la parte contraria de la barra de tracción.
- Insertar una Intelligent Key gris.
- Ajustar el tipo de cepillo "Disk".

Instalar un cabezal de limpieza R

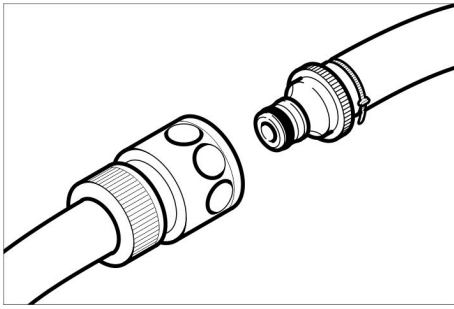
- Elevar el soporte del cabezal de limpieza (véase el capítulo "Intelligent Key gris/.../cambio de forma de cepillo").
- Empujar el cabezal de limpieza por debajo del aparato para que la manguera apunte hacia atrás. Empujar sólo la mitad del cabezal de limpieza tras el aparato.



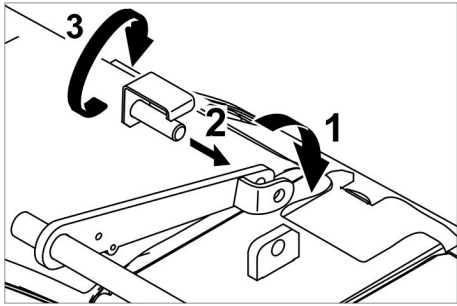
- Desenroscar el mango de estrella y quitar la tapa.



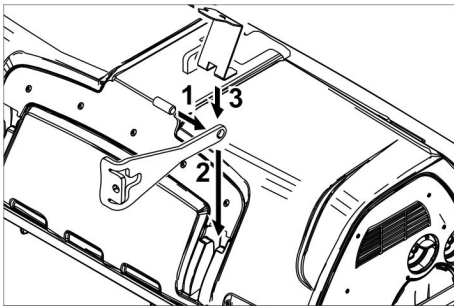
- Conectar el cable de alimentación del cabezal de limpieza con el aparato (deben coincidir los mismos colores).
- Introducir la tapa y atornillar con fuerza.
- Empujar el cabezal de limpieza centrado por debajo del aparato.



- Unir el acoplamiento del cabezal de limpieza con la manguera del aparato

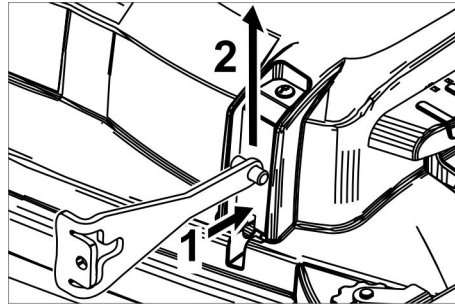


- Colocar la lengüeta del medio del cabezal de limpieza en la horquilla de la palanca.
- Colocar el soporte del cabezal de limpieza de forma que los orificios coincidan en la palanca y el cabezal de limpieza.
- Meter el perno de anclaje por los orificios y bajar la chapa de seguridad.



- Introducir la clavija del cilindro en el agujero de la barra de tracción.
- Empujar y encajar totalmente hacia abajo la barra de tracción con la clavija en el cabezal de limpieza.
- Repetir el procedimiento con la parte contraria de la barra de tracción.
- Insertar una Intelligent Key gris.
- Ajustar el tipo de cepillo "Brush".

Desmontar un cabezal de limpieza D



- Empujar la chapa de seguridad y levantar hacia arriba la barra de tracción.

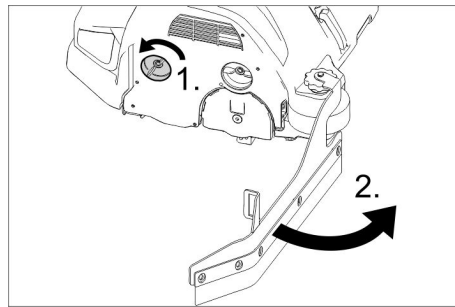
El desmontaje posterior requiere el orden contrario al indicado para el montaje.

Desmontar un cabezal de limpieza R

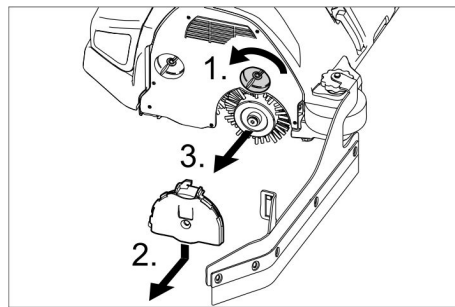
El desmontaje requiere el orden contrario al indicado para el montaje.

Recambio del cepillo cilíndrico

- Elevar el cabezal limpiador.



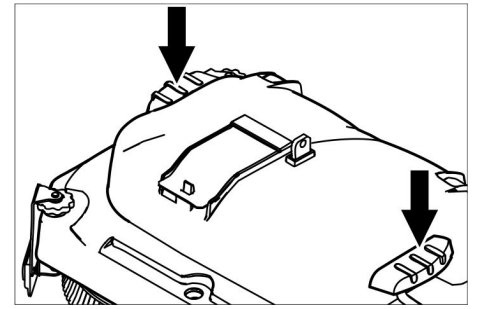
- Quitar el seguro del labio de secado.
- Empujar hacia atrás el labio de secado.



- Quitar el seguro de la tapa del cojinete.
- Presionar hacia abajo la tapa del cojinete y desenganchar.
- Extraer el cepillo rotativo.
- Instalar nuevo cepillo rotativo.
- La tapa del cojinete y el labio de secado están en condiciones para volver a ser unidos aplicando el orden inverso.
- Repetir el proceso con el lateral opuesto.

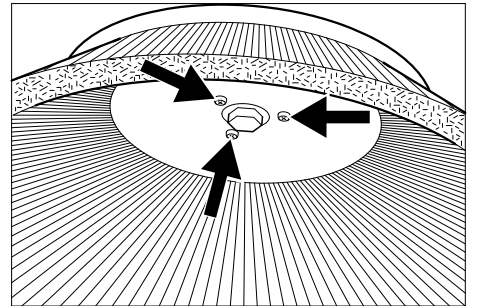
Recambio de las escobillas de disco

- Elevar el cabezal limpiador.



- Pisar hacia abajo el pedal de cambio de cepillos más allá del punto de resistencia.
- Sacar el cepillo de disco lateralmente de debajo del cabezal de limpieza.
- Mantener el nuevo cepillo de disco bajo el cabezal de limpieza, apretar hacia arriba y encajar.

Cambiar la escobilla lateral (solo variante SB)



- Desatornillar los 3 tornillos.
- Extraer la escoba lateral.
- Deslizar una nueva escoba lateral.
- Apretar 3 tornillos.

protección antiheladas

En caso de peligro de heladas:

- Vacíe el depósito de agua limpia y el depósito de agua sucia.
- Guarde el aparato en un lugar protegido de las heladas.

Ayuda en caso de avería

⚠ PELIGRO

¡Peligro de lesiones! Antes de realizar trabajos, quitar la Intelligent Key del aparato y desenchufar el cargador. Desconecte la clavija de la batería.

→ Purgue el agua sucia y el agua limpia sobrante y elimínela.

PRECAUCIÓN

Riesgo de lesiones por marcha en inercia de la turbina de aspiración. La turbina de aspiración sigue funcionando tras el apagado. No realizar trabajos de mantenimiento hasta que se haya parado la turbina de aspiración.

Cuando las averías no se puedan solucionar con ayuda de la tabla que aparece a continuación, acuda al servicio técnico.

Indicación de averías

Si aparecen mensajes de error en la pantalla, proceder como sigue:

- Girar el botón de programación "OFF".
 - esperar hasta que desaparezca el texto de la pantalla.
 - Girar el selector de programas a la posición anterior.
- Cuando aparezca de nuevo el fallo, seguir las medidas de solución co-

rrespondiente en el orden indicado. Para ello, el interruptor de llave deberá estar en posición "0" y la tecla de desconexión de emergencia deberá estar pulsada.

- No intente eliminar el error; llame al servicio de atención al cliente para informar del mensaje de error

AVISO

Los mensajes de error que no se enumeran en la siguiente tabla señalan errores que el usuario no puede reparar. En ese caso, le rogamos que llame al servicio de atención al cliente.

Averías con indicación en pantalla

Indicación en pantalla	Causa	Modo de subsanarla
¡Abrir el interruptor del asiento!	El interruptor de contacto del asiento no está activado.	→ Descargar el pedal acelerador Tomar asiento.
¡Soltar el pedal acelerador!	Al encender el interruptor de llave, el pedal acelerador está pulsado.	→ Descargar el pedal acelerador y volver a accionar a continuación.
¡Sin dirección de desplazamiento!	Interruptor de la dirección de marcha o conexión del cable defectuosa.	→ Llamar al servicio técnico.
Descargar la batería	Tensión de batería demasiado baja.	→ Cargue la batería.
¡Tensión de batería no permitida!	La tensión de la batería es superior o inferior al rango permitido.	→ Llamar al servicio técnico.
¡Cargador defectuoso!	Error en el cargador, no es posible cargar.	→ Comprobar el cargador.
¡Depósito de agua limpia vacío!	El depósito de agua fresca está vacío.	→ Llenar el depósito de agua limpia.
¡Presión de cepillo no alcanzada!	Timeout regulación de presión de apriete de los cepillos.	→ Comprobar el desgaste de los cepillos, cambiar los cepillos si es necesario. → Comprobar el funcionamiento de la cabeza del cepillo: bajar, elevar.
¡Depósito de agua sucia lleno!	Depósito de agua sucia lleno.	→ Vacíe el depósito de agua sucia.
	Sensor de nivel o conexión del cable defectuosa.	→ Llamar al servicio técnico.
¡Freno defectuoso!	Freno defectuoso.	→ No mover más el aparato. → Llamar al servicio técnico.
¡El motor de desplazamiento está caliente! ¡Dejar enfriar!	El protector del motor se ha activado	→ Ponga el interruptor de llave en la posición "0". → Dejar enfriar el aparato al menos durante 15 minutos. → Si se repite, llamar al servicio técnico.
¡Bocina defectuosa!	Bocina defectuosa.	→ Llamar al servicio técnico.
¡El sistema de control está caliente! ¡Dejar enfriar!	Sistema electrónico de potencia de módulo de elevación (A4) demasiado caliente	→ Ponga el interruptor de llave en la posición "0". → Dejar enfriar el sistema de control al menos durante 5 minutos. → Si el suelo es rugoso, reducir notablemente la presión del cepillo. → Si se repite, llamar al servicio técnico.
¡Motores de los cepillos sobrecargados!	Carga de los cabezales de los cepillos asimétrica.	→ Ajustar la superficie de barrido de los cepillos.

Averías sin indicación en pantalla

Avería	Modo de subsanarla
No se puede poner en marcha el aparato	Interrupción del asiento no accionado; tomar asiento. El aparato sólo trabaja si el operario se encuentra en la posición de asiento.
	Ponga el interruptor de llave en la posición "1".
	Coloque el selector de programas en "OFF". Esperar 10 segundos. Poner el selector de programas en la función anterior. Siempre que sea posible, conduzca el equipo solo por una superficie llana. En caso necesario, compruebe el freno de estacionamiento y el freno de pie.
	Antes de encender el interruptor de seguridad, soltar el pedal acelerador. Si sigue produciéndose el fallo, acuda al servicio técnico.
	Comprobar las baterías y si es necesario recargar
Caudal de agua insuficiente	Compruebe el nivel de agua limpia y, de ser necesario, llene el depósito.
	Comprobar si los tubos están atascados, si es necesario limpiar.
	Cabezal de limpieza R Sacar las tiras de distribución de agua y limpiarlas.
	Limpiar el filtro de agua limpia.
Potencia de aspiración insuficiente	Limpie las juntas situadas entre el depósito de agua sucia y la tapa; compruebe su estanqueidad y, en caso necesario, cámbielas
	Compruebe si el filtro de protección de la turbina está sucio, si es necesario, limpiar.
	Limpie los labios de aspiración de la barra de aspiración y, en caso necesario, girar o cambiar
	Compruebe si está cerrada la tapa de la manguera de salida de agua sucia
	Comprobar si los tubos de aspiración están atascados, si es necesario limpiar.
	Compruebe si el tubo de aspiración está hermético y, en caso necesario, cámbielo.
	Compruebe el ajuste de la barra de aspiración.
	Colocar carga adicional (accesorios) en la barra de aspiración.
Resultados de limpieza insuficientes	Ajustar la presión de apriete.
	Ajustar labios de secado.
	Compruebe si los cepillos presentan desgaste y, en caso necesario, cámbielos.
Los cepillos no giran	Reducir la presión de apriete.
	Compruebe si hay cuerpos extraños bloqueando los cepillos y, de ser así, elimínelos.
	Dejar enfriar el motor si está sobrecargado. Coloque el selector de programas en "OFF". Esperar 10 segundos. Poner el selector de programas en la función anterior.
Manguera de salida de agua sucia atascada	Abrir el dispositivo dosificador de la manguera de salida. Sacar la manguera de absorción de la barra de absorción y cerrar con la mano. Coloque el selector de programas en posición de absorber. El atasco se absorbe de la manguera de salida al depósito de agua sucia.
La lata de dosificación de detergente (sólo en el modelo Dose) no funciona	Informar al servicio técnico.

Datos técnicos

B 150		R 75	D 75	R 90	D90
Potencia					
Tensión nominal	V	36			
Capacidad de batería	Ah (5h)	180/240			
Consumo medio de potencia	W	2700	2400	2800	2500
Potencia nominal del motor de desplazamiento (Adv)	W	600 (1400)			
Potencia del motor de aspiración	W	750			
Potencia del motor de barrido	W	2 x 600		2 x 750	2 x 600
Aspirar					
Potencia de aspiración, caudal de aire	l/s	26			
Potencia de aspiración, depresión	kPa	18,0			
Cepillos de limpieza					
Anchura de trabajo	mm	750		900	
Diámetro del cepillo	mm	105	410	105	450
Nº de rotaciones de los cepillos	1/min	1200	140	1200	140
Medidas y pesos					
Máxima velocidad de marcha (Adv)	km/h	6 (10)			
Inclinación máx. (Adv)	%	10 (15)			
Potencia teórica de superficie (Adv)	m ² /h	4500 (7500)		5400 (10000)	
Volumen de los depósitos de agua limpia y agua sucia	l	150			
Volumen del recipiente de partículas de suciedad gruesa	l	7	-	9	-
Presión de agua del sistema de llenado**, sistema de enjuague del depósito de agua sucia**, máx.	MPa (bar)	1 (10)			
Longitud	mm	1690			
Anchura (sin barra de aspiración)	mm	810	810	910	980
Altura	mm	1390			
Peso total permitido (Adv)	kg	820 (838)			
Peso de transporte (Adv)	kg	586 (604)			
Capacidad de carga por unidad (con conductor y tanque de agua limpia lleno)					
Rueda delantera	N/cm ²	94			
Rueda trasera	N/cm ²	51			
Valores calculados conforme a la norma EN 60335-2-72					
Valor total de oscilación de los brazos	m/s ²	<2,5			
Valor total de oscilación de la superficie de asiento	m/s ²	<2,5			
Inseguridad K	m/s ²	0,1			
Nivel de presión acústica L _{pA}	dB(A)	67			
Inseguridad K _{pA}	dB(A)	2			
Nivel de potencia acústica L _{WA} + inseguridad K _{WA}	dB(A)	85			

**) Opción

Accesorios y piezas de repuesto

- Sólo deben emplearse accesorios y piezas de repuesto originales o autorizados por el fabricante. Los accesorios y piezas de repuesto originales garantizan el funcionamiento seguro y sin averías del aparato.
- Podrá encontrar una selección de las piezas de repuesto usadas con más frecuencia al final de las instrucciones de uso.
- En el área de servicios de www.kaercher.com encontrará más información sobre piezas de repuesto.

Garantía

En todos los países rigen las condiciones de garantía establecidas por nuestra empresa distribuidora. Las averías del aparato serán subsanadas gratuitamente dentro del periodo de garantía, siempre que se deban a defectos de material o de fabricación. En un caso de garantía, le rogamos que se dirija con el comprobante de compra al distribuidor donde adquirió el aparato o al servicio al cliente autorizado más próximo a su domicilio.



<http://www.kaercher.com/dealersearch>

